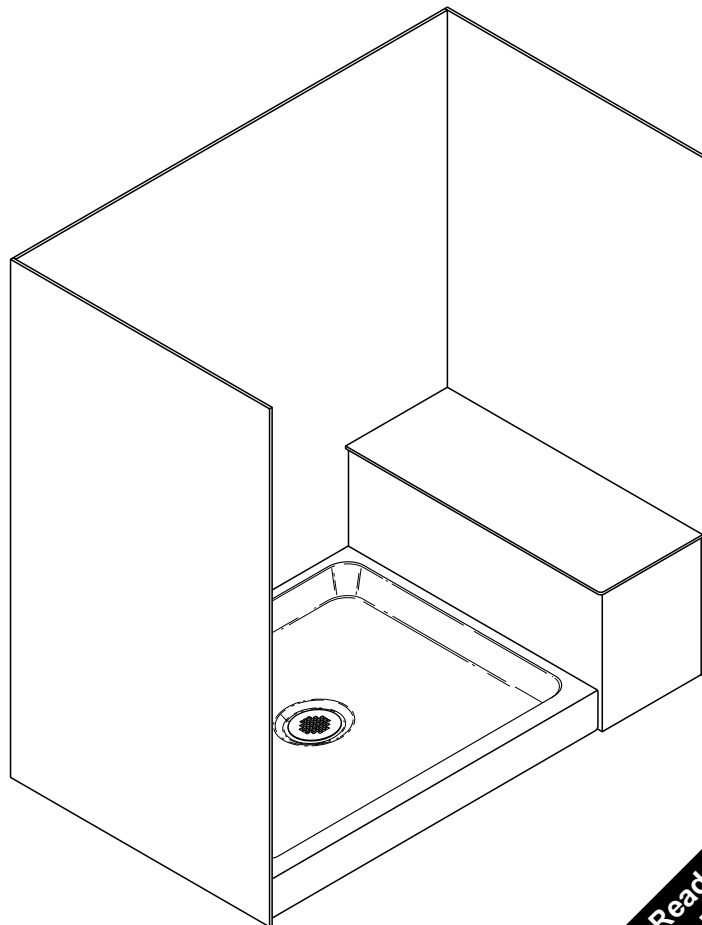




Bench Seat

SB-1248

- *Product Warnings*
- *Safety Guidelines*
- *Kit Contents*
- *Required Tools*
- *Preparation Tips*
- *Installation Procedure*
- *Cleaning & Maintenance*
- *Surface Repair*
- *Warranty Information*



**Read and Understand
Before Installing**

The Swanstone Assurance — if our product is properly installed and maintained, as stated in these instructions, it will not leak.

Remember - Safety First

IMPORTANT NOTICE

The Swan Corporation, the makers of the Swanstone Wall Systems and Panels, cannot anticipate every possible circumstance that might involve a potential hazard during the installation of our product(s). The warnings and instructions in this installation guide are, therefore, not all-inclusive. If a tool, installation procedure, or work method that is not specifically recommended by the Swan Corporation is used, you must satisfy yourself that it is safe. You should also make sure that the Swanstone product(s) will not be damaged by the methods you choose. The Swan Corporation will not be held responsible for water damage of any kind in connection with the installation of one of our Swanstone bath/shower/panel kits.

WARNING

To avoid product damage, personal injury, or even possible death, carefully read, understand, and follow all the instructions in this installation guide before installing this product(s). Do not use cleaning fluids or operate power tools unless you read and understand the instructions and warnings in this and all other applicable labels or manuals. Proper use of tools and the products described in this guide is your responsibility.

WARRANTY

This product is covered by a Limited Lifetime Warranty. Refer to the Warranty section in this manual for complete details.

Save this manual for future reference.

Important information on cleaning, maintenance, and repair is contained within.

IMPORTANT NOTICE

IMPORTANT NOTICE: Indicates that equipment or property damage can result if instructions are not followed.



Read and Understand the Manual

It is the responsibility of any individual who installs or maintains this product to fully understand and follow proper installation and maintenance procedures. Be aware of the inherent dangers in the use of power tools when installing this product. Read and understand all Warnings, Cautions, and Important Notices in this manual.



Work Safely

DO NOT proceed if any doubt arises about the correct or safe method of performing anything found in this or other Swanstone manuals.

The installation of this product can require using power tools. Do not use power tools without adequate training. If necessary, hire or consult a trained professional for expert assistance before continuing.



Use Proper Tools

Always use proper tools which are in good, working condition during the installation of the Swanstone products. Using tools other than those listed could adversely affect the integrity of floors, pipes, walls, or this product and could result in water damage or other damage to floors, pipes, walls, or other portions of your building or home.



Do Not Use Nails

Do not use nails to secure the bench seat panel to the framing. The panel is mounted with clear silicone only. Only use the supplied or recommended clear silicone to attach this product. Never use hammers, nails, or screws which could adversely affect the integrity of this product. Nails and screws could puncture the Swanstone Wall Systems and Panels, resulting in water or other damage to floors, pipes, walls, or other portions of your building or home.



Inspect Before Cutting

Make sure no electrical wiring or plumbing is present before cutting into a wall.



Wall Conditions

Inspect the mounting surface before installing the panel. Never install the panel over damp material or an existing mold condition.

CAUTION

CAUTION: Indicates a potentially hazardous situation which, if not avoided, may result in minor or moderate injury. It may also be used to alert against unsafe practices.



Use Proper Installation Methods

Follow all instructions related to wall surface preparation. Failure to follow such instructions could cause the panels to detach from the wall surface after installation, resulting in personal injury. Failure to follow these instructions could result in water damage.



Slipping Hazard

Do not install this product in the presence of water. Installing this product without drying all surfaces, or in the presence of water, could cause you to slip and fall due to wet floors or spilled fluids. Personal injury can result from slips or falls. Before installation, dry all surfaces, including the floor, with a cloth or paper towel. Clean up all water or spilled fluids immediately.



Tripping Hazard

Personal injury can result from tripping over power cords, tools, or other items. **DO NOT** leave items laying around the work area.



Personal Protection

Be sure to use all personal protective equipment, such as sturdy work boots, preferably with steel toes, gloves, and hard hat, if necessary, to ensure your own safety. To prevent possible damage to your hearing, always wear ear protection, such as earmuffs or earplugs, when working around power tools.



Cutting Hazard

The installation of the Swanstone product may require using power tools. Keep hands away from the cutting edge of any tool used in the installation of our product. Placing fingers in or around the cutting blades could result in serious personal injury.



Sharp Edge Hazard

After cutting the edge of a Swanstone panel, it can be sharp. Wear protective gloves to prevent personal injury.



Room Temperature

Allow the Swanstone panel and silicone to adjust to room temperature for at least six hours before installation. The panel should be installed at temperatures not less than 65 degrees. Panels should not be installed in areas where the temperature may drop below freezing (32°F). Failure to follow this recommendation could adversely affect the silicone which holds the panels to the mounting surface.



Dust Hazard

When cutting or drilling the Swanstone product, use a dust collection method which prevents dust particles from going into the air. Always work in a well-ventilated area. Always use an OSHA approved dust mask when cutting, drilling, or sanding Swanstone products.



Power Tool Hazard

To prevent personal injury or possible death, always follow the electrical safety recommendations of the power tool's manufacturer. Do not use power tools in an unsafe manner. Power tools should only be connected to a circuit protected by a ground-fault circuit interrupter (GFI).

! WARNING

WARNING: Indicates a potentially hazardous situation which, if not avoided, could result in serious injury or death.



Eye Protection

Be sure to use all personal protective equipment to ensure your own safety. To avoid eye injury, always wear protective glasses with side shields when using power tools. Also, make sure no one else can be injured by flying particles when using power tools.



Shock Hazard

Never use electric power tools around water, condensation, or other liquids. Electric shock can cause severe burns, significant injuries, and even death. If an extension cord is required, always use an OSHA approved extension cord. Power cords should only be connected to a circuit protected by a ground-fault circuit interrupter (GFI).



Fire Hazard

Personal injury or death can result from a fire caused by flammable liquids or silicone. Cleaners or solvents can be highly explosive, resulting in personal injury or even death, when not used properly. Clean up any flammable substance immediately. Sparks or open flames can cause flammable substances to ignite. **DO NOT** smoke while working on or near any flammable substance.



Electrical Shock Hazard

Contacting live electrical wiring with power tools or hand tools can cause serious injury or death. Make sure all related circuit breakers are turned OFF. Test for live circuits or wiring inside any wall where installation of the Swanstone product requires cutting into a wall.



Solvents Hazard

Follow all manufacturer's safety instructions for silicone and denatured alcohol. Alcohol vapors are both flammable and hazardous to breathe. Silicone vapors may irritate eyes and nose. Personal injury can result from improperly handling or use of products such as denatured alcohol. Always follow the manufacturers recommendations for the safe use of these products. Ventilate any work area before beginning to apply silicone, cleaning agents, or solvents.



Electrocution Hazard

Water and other liquids conduct electric current and can create a short circuit, resulting in injury or death. Keep all liquids away from electrical cords and power tools. **DO NOT** create a short circuit between a source of electricity and a liquid by being in contact with both simultaneously.



Fumes Hazard

The fumes from the silicone and solvents used by the installer can be harmful if used in an unventilated room. Always work in a well-ventilated area.

Required Tools

- Circular saw with 60 to 80 tooth carbide blade
- Tape measure
- Masking tape (2" wide works best)
- Caulking gun
- Clean paper towels or shop towels

Kit Contents

Confirm that all parts of this kit have been included before beginning installation.

SB-1248 Bench Seat Kit

(51-5/16 long x 14 wide x 1-9/16" thick; 16.5 lbs.)

- 1 — Seat Panel (12-3/4" x 48" x 0.400")

SS-29 Installation Kit

(13-3/4 long x 13-3/4 wide x 3-1/8" thick; 7 lbs.)

- 4 — Cartridges of clear silicone sealant for back and side panels
- 1 — Tube of color matched 100% silicone sealant for corners, corner moldings, and recessed shelf
- 1 — Tube of white silicone sealant for caulking around the outer perimeter of shower

Unpackaging

- Use care when opening the box so that you do not damage the panel.
- This product is shipped to you or your retail center after careful inspection. After purchasing the kit, carefully unbox and inspect the product for any shipping damage that may have occurred. If damage is found, report it immediately to the store of purchase. After inspection and during installation, protect the products from construction damage, by moving them to another room or area until ready to install.
- Store the panel in a flat area to avoid warpage until the time of installation. Do not store the panel outside of the original packaging in a vertical position.
- Please use the model number located on the side of the box or the front of this manual when contacting us with questions concerning the installation of this unit.

Helpful Hints

- Read these instructions carefully and familiarize yourself with the various parts of the kit.
- The variety of installations possible for this kit may require procedures other than those shown. Ensure construction is correctly sized, plumb, and square.
- Allow sufficient time for the parts in this kit to adjust to room temperature. We do not recommend installation of this product at temperatures below 65 degrees.
- Saw horses with 2 x 4 cross-members or a worktable is helpful during the installation process.
- Always transport the panels vertically. Use care when laying the panels flat to prevent flexing, especially when panels have a cutout in them.
- Store unused materials away from the work area to prevent accidental damage.

Preparation Tips

- Turn off the hot and cold water supply.
- Ensure all plumbing or electrical work inside the walls is finished prior to installation of the bench seat.
- Prepare the area with 1/2" (13 mm) moisture-resistant drywall, marine grade plywood, or concrete board. Never install our products directly on any surface that is, or may become, wet or damp.
- Trial fit the panel before you begin. Swanstone panels have a finished side and a nonfinished backer side. The Swanstone panel has a sticker or stickers attached to the nonfinished backer side and, upon installation, should be placed against the mounting surface.
- The mounting surface must be free of dirt, film, waxes, or any other residues.

Caulking Tips

- Follow the instructions on the caulking tube.
- When job is complete, inspect all caulked areas for gaps and fill as needed.
- Clean up any excess silicone that was missed using denatured alcohol and a clean cloth.
- Be very careful not to disturb caulk joints.

Swanstone panels can be installed over a variety of products. If you intend to apply the panels to any surface other than those described, consult with a professional contractor. Use the following sections when installing this product over:

- SHEETROCK/GREENBOARD/CEMENTBOARD/
WOOD

Sheetrock, Greenboard, Cementboard, or Wood

- Surface must be dry, smooth, and free of any dust, soap scum, or any other contaminants.
- To ensure proper adhesion of the Swanstone product, the wall surface must be sealed with a water or oil-based primer/sealer.
- After the primer/sealer is completely dry, complete the installation following the instructions in this manual.

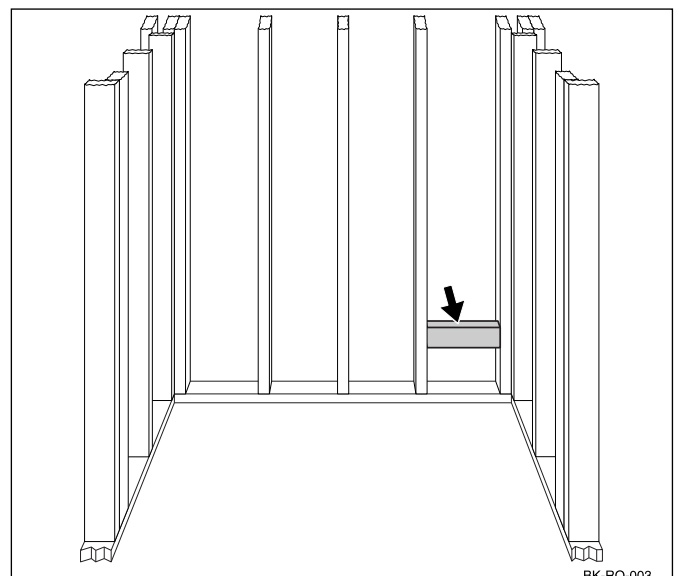
Followed carefully, these installation instructions will result in an easy, trouble-free installation of your Swanstone product. Any deviations, additions, and/or deletions from the prescribed installation, without prior written approval of our Customer Service Department, will void the warranty covering this product. Not following the directions could also result in personal injuries, water damage, and other damage to floors, pipes, walls, and other portions of your building or home.

Disclaimer

- The information contained in this Installation Manual is given free of charge. It is based upon technical data which we believe to be reliable and is intended for use, by persons having knowledge of this technical area, at their own discretion and risk. Swanstone assumes no responsibility for results obtained or damage incurred from the use of this material either in whole or in part by the buyer.
- This manual will give you basic instructions for the installation of the product in a step-by-step sequence that will work in most types of installations. If you have an installation application that is not covered in this manual, please call your local Swanstone distributor or contact the Swan Corporation directly for additional information about your application.
- Follow all installation instructions. Failure to follow these instructions could result in personal injuries, water damage, or other damage to floors, pipes, walls, or other portions of your building or home.

The illustrations in this section show new construction, but the seat can be added to an existing shower enclosure.

1. Add a 2 x 4 wall brace to attach the seat framing. The height of the brace should be the same height as the seat, which can vary according to personal needs.

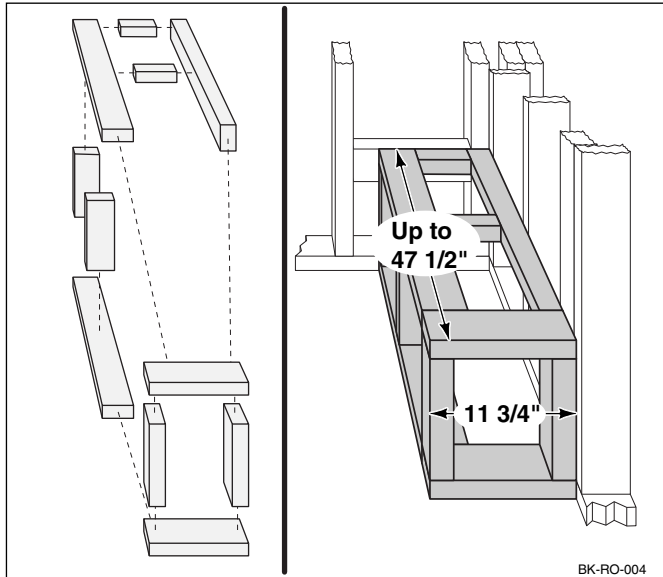


Installation Procedure

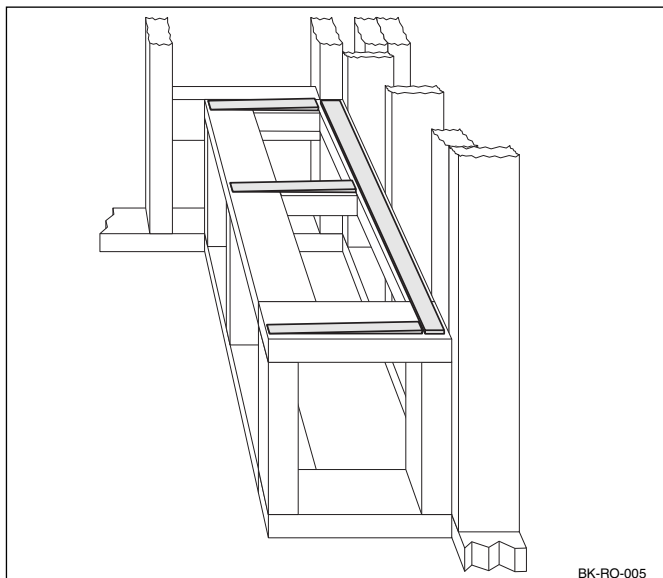
- Construct the bench seat framework, as shown, using 2 x 4 wood or steel studs. The framework for the seat must be 11-3/4" deep and can be up to 47-1/2" long, depending on your application.

IMPORTANT NOTICE

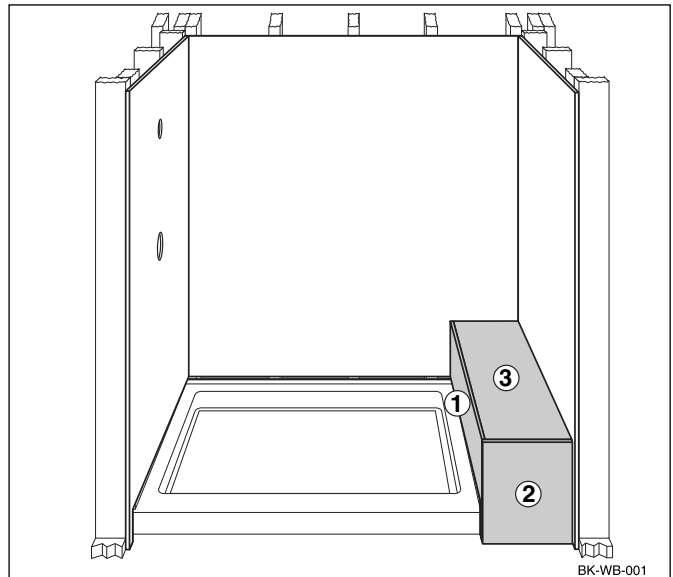
The center braces are necessary to adequately support the weight placed on the seat. Failure to install these braces will void any product warranty.



- In order to eliminate standing water on the bench seat, cut and place three, 2" wide shims on top of each 2 x 4, as shown. Standard shim stock works well for these shims. The shims should be 1/8" thick and taper down to nothing. Also, place a 1/8" thick shim along the wall to completely support the back of the seat.



- Install 1/2" moisture-resistant cement board or greenboard over all the surfaces of the seat area (1, 2, & 3). Follow the wall board manufacturer's recommendations for installation.



- Apply a coat of water or oil-based primer/sealer to all the surfaces of the cementboard or greenboard (follow the manufacturer's instructions). Allow the primer to dry thoroughly before applying any clear silicone.

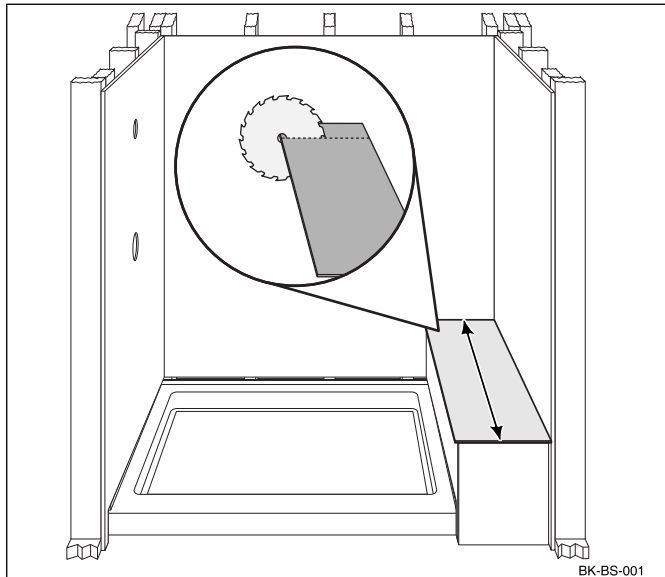
! WARNING



Dust Hazard

When cutting or drilling the Swanstone product, use a dust collection method which prevents dust particles from going into the air. Always work in a well-ventilated area. Always use an OSHA approved dust mask when cutting, drilling, or sanding Swanstone products.

6. Cut the seat panel to length.



NOTE: The length of the seat can vary, depending on the amount of desired overhang and the type of material used to cover the end of the bench. The width of the seat is precut to 12-3/4" to provide a 1/2" overhang.

! WARNING

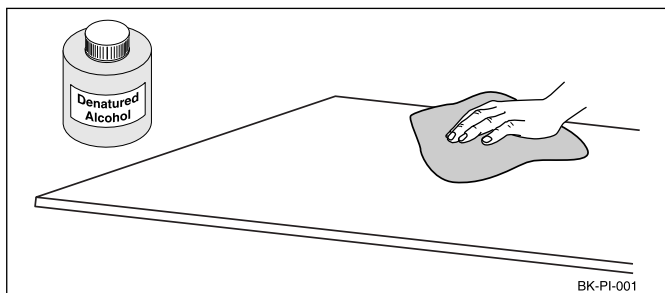


Fumes Hazard

The fumes from the silicone and solvents used by the installer can be harmful if used in an unventilated room.

Always work in a well-ventilated area.

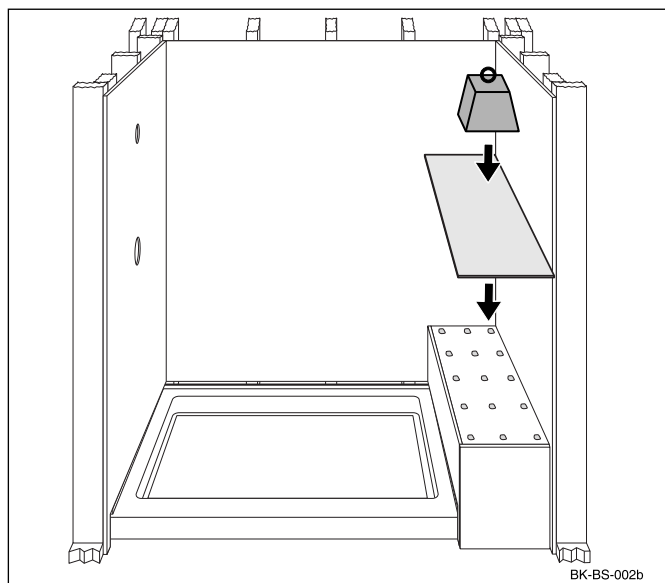
7. Clean the back of the panel with denatured alcohol or another non oil-based cleaning solvent.



IMPORTANT NOTICE

Do not use oil-based cleaners, such as mineral spirits, to clean the panels. The oil in the cleaner will prevent the panel from adhering properly to the wall.

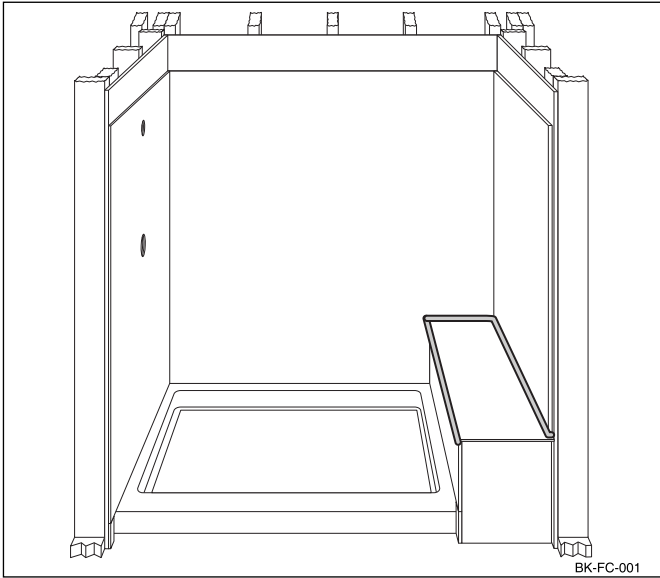
8. Apply the silicone in 1-1/4" diameter dots 8 to 10 inches apart over the surface of the panel. Follow the silicone manufacturer's instructions and note all ventilation and installation precautions.
9. Place the seat, with the rounded edge facing out, onto the clear silicone. Make sure the seat is correctly positioned and place weight on top of the seat to hold it firmly in place.



IMPORTANT NOTICE

Follow the manufacturer's instructions on the tube for proper application. Allow at least 24 hours for clear silicone to set before using the shower enclosure.

- Apply a bead of the color-matched 100% silicone sealant (included in the kit) on the top edges of the bench seat. Also apply a bead of the color-matched 100% silicone sealant under the front edge of the seat panel.



The installation is now complete. DO NOT discard these installation instructions. PLEASE LEAVE THEM WITH THE HOMEOWNER.

Care and Cleaning

The Swanstone products are stain and abrasion resistant; however, the finish requires reasonable care.

IMPORTANT NOTICE

Because cleaning products change over time, always check the manufacturer's instructions to make sure it is compatible with plastic. **DO NOT** use a cleaner if the label indicates it should not be used on plastics. **DO NOT** use spray-on cleaners that require daily use without immediately rinsing with water to stop the chemical cleaning reaction because damage will result and void the warranty.

Day-To-Day Cleanup

Simply wipe the surfaces with a clean towel to remove watermarks and residues. All Swanstone products can be cleaned with warm water, a soft cloth, and normal household detergents or cleansers, such as Fantastic, Formula 409, Clorox Clean-up, Handy Andy, Mr. Clean, or Lestoil. Always rinse off cleaners within five minutes of application.

Occasional scrubbing with household abrasive cleaners ensures that the original luster is maintained.

Caulking Joints

Inspect caulking joints monthly for damage or any signs of separation from the mating surface. Cracks in the caulking will allow water to leak into the surrounding surfaces. **Reapply caulking to any joint showing signs of wear or cracking.** Failure to inspect and repair caulking joints will void the warranty.

Surface Repair

Light Scratches

Use 400 grit sandpaper to remove light scratches in the surface.

Deep Scratches or Gouges

For deeper scratches or gouges, use 220 or 320 grit sandpaper. A "Scotchbright pad" can be used to blend the repair into the surrounding area.

**LIMITED WARRANTY
FOR RESIDENTIAL APPLICATIONS**

If a Swanstone product covered by this warranty is found to be defective in materials or workmanship, after inspection by an authorized Swan Corporation representative, we will repair, or at our option, exchange the product for a similar model. This warranty extends for a designated period of time, so long as it remains in use in its original place of installation.

This warranty covers products installed in accordance with the Swan Corporation's installation instructions, used as recommended, and not damaged due to misuse, abuse, or improper installation. It does not apply to any seams or changes made to the product by professional tradesmen or fabricators.

The warranty applies only to the original purchaser and installation of these products in residential applications. It does not apply to commercial applications.

The Swan Corporation's option to repair or exchange the products under this warranty does not cover any labor or other costs or removal or installation, nor shall the Swan Corporation be responsible for any other incidental or consequential damages attributable to a product defect or to the repair or exchange of a defective product.

Limited Lifetime Warranty

Swanstone Wall Panels, Trim Kits, and Accessories

**LIMITED WARRANTY
FOR COMMERCIAL APPLICATIONS**

If a Swanstone product covered by this warranty is found to be defective in materials or workmanship, after inspection by an authorized Swan Corporation representative, we will repair, or at our option, exchange the product for a similar model. This warranty extends for a designated period of time, so long as it remains in use in its original place of installation.

This warranty covers only products installed in accordance with the Swan Corporation's installation instructions, used as recommended, and not damaged due to misuse, abuse, or improper installation. It does not apply to any seams or changes made to the product by professional tradesmen or fabricators.

The warranty applies only to the original purchaser and installation of these products in commercial applications.

The Swan Corporation's option to repair or exchange the products under this warranty does not cover any labor or other costs of removal or installations, nor shall the Swan Corporation be responsible for any other incidental or consequential damages attributable to a product defect or to the repair or exchange of a defective product.

25-Year Limited Warranty

Swanstone Tub and Shower Wall Panels, Trim Kits, and Accessories

Save these Installation Instructions for future reference. They provide important information on cleaning, maintenance, and surface repair of the Swanstone Wall Systems and Panels.

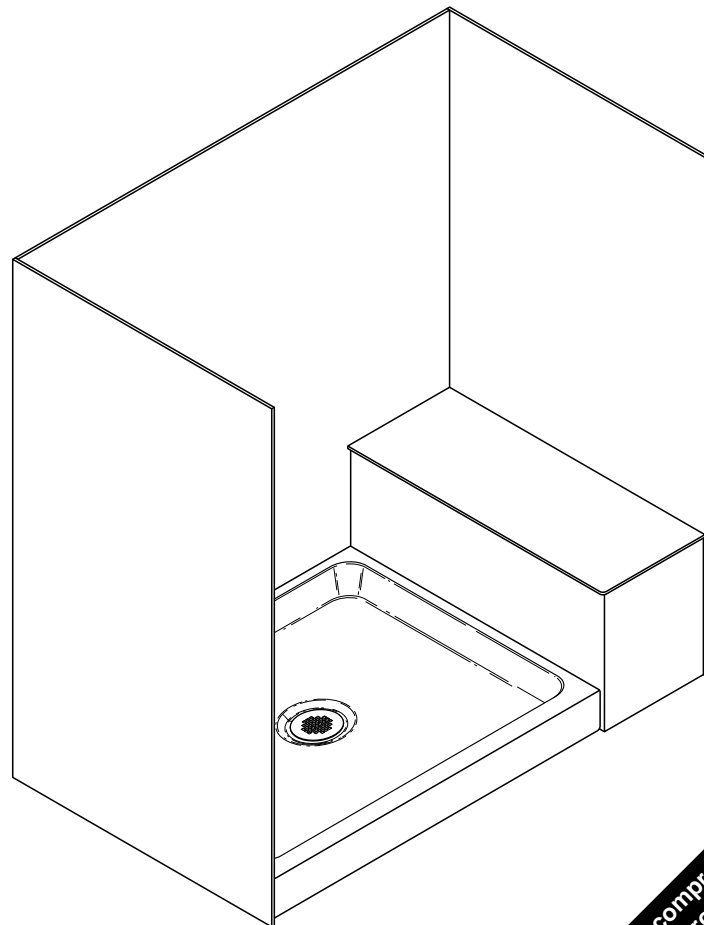




Asiento

SB-1248

- *Producto Advertencias*
- *Lineamientos de seguridad*
- *Contenido del kit*
- *Herramientas necesarias*
- *Consejos para la instalación*
- *Procedimiento de instalación*
- *Limpieza y mantenimiento*
- *Reparación de la superficie*
- *Información sobre la garantía*



Lea y comprenda lo siguiente antes de proceder a la instalación

La garantía Swanstone: si nuestro producto está debidamente instalado y se le realizan las tareas de mantenimiento necesarias, según se indica en estas instrucciones, no tendrá pérdidas.

Recuerde: Primero, la seguridad.

AVISO IMPORTANTE

The Swan Corporation, fabricante de los paneles y sistemas para pared Swanstone, no puede anticipar todas las circunstancias posibles que podrían representar un peligro potencial al momento de instalar nuestros productos. Por lo tanto, las advertencias e instrucciones detalladas en esta guía de instalación no cubren todas las posibilidades. Si utiliza una herramienta, procedimiento de instalación o método de trabajo que no sea específicamente recomendado por The Swan Corporation, deberá confirmar primero que sea seguro. También deberá comprobar que el método que usted elija no dañe los productos Swanstone. The Swan Corporation rechaza toda responsabilidad por cualquier tipo de daño que pueda ocurrir en relación con la instalación de uno de nuestros kits Swanstone de paneles, para ducha o para baño.

⚠ ADVERTENCIA

Para evitar daños en el producto, lesiones personales e incluso el riesgo de muerte, lea atentamente, comprenda y respete todas las instrucciones detalladas en esta guía de instalación antes de instalar el producto. No utilice fluidos de limpieza ni use herramientas eléctricas a menos que haya leído y comprendido las instrucciones y advertencias que se describen en esta guía y demás manuales y etiquetas aplicables. El uso correcto de las herramientas y los productos descritos en esta guía es responsabilidad del usuario.

GARANTÍA

Este producto está cubierto por una garantía limitada para toda la vida. Consulte la sección "Garantía" de este manual para conocer todos los detalles.

Guarde este manual para poder consultarlo en el futuro.

Contiene información importante sobre limpieza, mantenimiento y reparación.

AVISO IMPORTANTE

AVISO IMPORTANTE: Indica que pueden dañarse el equipo u otros bienes materiales si no se respetan las instrucciones.



Lea y comprenda el manual

Es responsabilidad de la persona que instala o realiza tareas de mantenimiento en este producto comprender plenamente los procedimientos de instalación y mantenimiento, y ponerlos en práctica. Tenga en cuenta los peligros inherentes al uso de herramientas eléctricas cuando instale este producto. Lea y comprenda todas las advertencias, precauciones y avisos importantes contenidos en este manual.



Cuide la seguridad

NO prosiga si tiene alguna duda respecto de cuál es la manera correcta o segura de realizar cualquiera de las tareas descritas en éste o cualquier otro manual Swanstone. Es posible que necesite utilizar alguna herramienta eléctrica para instalar este producto. No utilice herramientas eléctricas si no cuenta con el entrenamiento necesario. De ser necesario, contrate o consulte a un profesional capacitado para que le brinde asistencia experta antes de continuar.



Utilice las herramientas adecuadas

Siempre use herramientas eléctricas que estén en buenas condiciones de uso para la instalación de los productos Swanstone. Si utiliza otras herramientas diferentes de las incluidas en la lista, eso podría afectar la integridad de los pisos, tuberías, paredes o de este producto, lo cual podría provocar daños por el contacto con el agua u otro tipo de daño a los pisos, tuberías, paredes u otras partes de su casa o edificio.



No use clavos

No use clavos para asegurar el asiento al armazón. El panel se monta utilizando únicamente silicona transparente. Emplee sólo la silicona transparente recomendada o incluida en el kit para el montaje de este producto. Nunca use martillos, clavos ni tornillos que pudieran afectar la integridad de este producto. Los clavos y los tornillos podrían perforar los paneles y sistemas para pared Swanstone, lo que podría ocasionar daños por el contacto con el agua u otro tipo de daños en los pisos, tuberías u otras partes de su casa o edificio.



Inspeccione antes de perforar

Verifique que no haya cableado eléctrico ni tuberías antes de perforar una pared.



Estado de la pared

Revise el estado de la superficie de montaje antes de instalar el panel. Nunca instale el panel sobre material con humedad o con problemas de moho.

⚠ PRECAUCIÓN

PRECAUCIÓN: Indica una situación posiblemente peligrosa que, si no se la evita, podría provocar una lesión menor o moderada. También es posible que se use esta palabra para presentar advertencias en contra de prácticas inseguras.



Utilice los métodos adecuados para la instalación

Siga todas las instrucciones relacionadas con la preparación de la superficie de la pared. Si no lo hace, los paneles podrían desprenderse de la superficie de la pared después de la instalación y lesionar a alguna persona. Si no se respetan las indicaciones, podrían ocasionarse daños por el contacto con el agua.



Peligro de resbalamiento

No instale este producto en presencia de agua. Si lo hace sin secar todas las superficies, o si hay presencia de agua, usted podría resbalar y caerse debido al piso húmedo o los líquidos derramados. Un resbalón o una caída podrían provocar lesiones personales. Antes de instalar el producto, seque todas las superficies, incluido el piso con un trapo o una toalla de papel. Limpie inmediatamente toda el agua o los líquidos que se derramen.



Peligro de tropezar

Puede sufrir lesiones personales si tropieza con cables, herramientas u otros elementos. NO deje elementos esparcidos por el área de trabajo.



Protección personal

Use todo el equipo de protección personal necesario, tal como botas resistentes de trabajo, preferentemente, con talones de acero, guantes y casco para garantizar su propia seguridad. Para proteger sus oídos, use siempre protectores auditivos (orejeras o tapones) cuando trabaje con herramientas eléctricas.



Peligro de corte

Es posible que necesite utilizar alguna herramienta eléctrica para instalar el producto Swanstone. Mantenga las manos alejadas del borde de cualquiera de las herramientas que use para instalar este producto. Si el filo de las hojas toma contacto con sus dedos, podría provocar lesiones personales serias.



Peligro por borde afilado

Después del corte, el borde de un panel Swanstone puede ser filoso. Use guantes resistentes para protegerse las manos.



Temperatura ambiente

Permita que los paneles y adhesivos Swanstone tomen temperatura ambiente durante al menos seis horas antes de la instalación. Los paneles deberían instalarse a una temperatura de, al menos, 65 °F (18 °C). Y no se los debería instalar en áreas en que la temperatura pudiera ser inferior al punto de congelación (32 °F [0 °C]). Si no respeta esta recomendación, ello podría afectar la silicona que sostiene los paneles unidos a la pared. Si no están correctamente adheridos, podrían caerse y provocarle lesiones a la persona que se encuentre dentro del cerramiento de la ducha o cerca de él.



Peligro por polvillo

Cuando corte o perforo un producto Swanstone, emplee algún método para recoger el polvo que impida que las partículas de polvo se dispersen por el aire. Trabaje siempre en un área con buena ventilación. En todo momento, use una máscara contra polvillo aprobada por OSHA al cortar, perforar o lijar los productos Swanstone.



Peligro por uso de herramienta eléctrica

Para evitar lesiones personales, e incluso la muerte, respete siempre las recomendaciones de seguridad establecidas por el fabricante de la herramienta eléctrica. No utilice las herramientas eléctricas de manera poco segura. Este tipo de herramientas debe estar conectado a un circuito protegido por un interruptor de circuitos GFI (falla de conexión a tierra).



Peligro de choque

Nunca use herramientas eléctricas cerca de agua, condensación ni otros líquidos. El choque eléctrico puede provocar quemaduras graves, lesiones importantes e, incluso, la muerte. Si necesita utilizar un cable de extensión, emplee uno aprobado por OSHA. Los cables de extensión sólo deberían estar conectados a un circuito protegido por un interruptor de circuitos GFI (falla de conexión a tierra).



Peligro de choque eléctrico

El contacto entre un cable eléctrico con corriente y una herramienta eléctrica o una herramienta manual puede provocar serias lesiones y hasta la muerte. Asegúrese de que todos los disyuntores de circuitos relacionados estén APAGADOS. Compruebe si hay circuitos o cables con corriente dentro de las paredes que necesite perforar para instalar el producto Swanstone.



Peligro de electrocución

El agua y otros líquidos son conductores de la corriente eléctrica y pueden crear un cortocircuito, lo que podría causar lesiones o la muerte. Mantenga todos los líquidos alejados de los cables y herramientas eléctricas. NO cree un cortocircuito entre una fuente de electricidad y un líquido al estar en contacto con ambos al mismo tiempo.

ADVERTENCIA

ADVERTENCIA: Indica una situación posiblemente peligrosa que, si no se la evita, podría provocar una lesión seria o la muerte.



Protección ocular

Use todo el equipo de protección personal necesario para garantizar su propia seguridad. Para evitar sufrir lesiones en los ojos, siempre que trabaje con herramientas eléctricas, use anteojos protectores con placas laterales. Asimismo, al usar herramientas eléctricas, compruebe que nadie pueda resultar lastimado por partículas que salgan despedidas.



Peligro de incendio

Los adhesivos o líquidos inflamables pueden provocar un incendio que podría ocasionar lesiones personales e incluso la muerte de alguna persona. Los limpiadores o solventes pueden ser altamente explosivos y provocar lesiones personales o incluso la muerte si no se los utiliza correctamente. Limpie de inmediato toda sustancia inflamable que se haya derramado. Las chispas o las llamas pueden hacer que las sustancias inflamables se enciendan. NO fume mientras trabaje con sustancias inflamables o cerca de ellas.



Peligro por el uso de solventes

Siga todas las instrucciones de seguridad del fabricante respecto del uso de silicona y alcohol desnaturalizado. Los vapores de alcohol son inflamables y también es peligroso respirarlos. Los vapores de silicona pueden irritar los ojos y la nariz. El uso incorrecto de productos tales como el alcohol desnaturalizado puede provocar lesiones personales. Siempre siga las recomendaciones de los fabricantes para usar estos productos de manera segura. Ventile el área de trabajo antes de comenzar a aplicar silicona o de usar agentes de limpieza o solventes.



Peligro por vapores

Los vapores y emanaciones provenientes de la silicona y solventes empleados por el instalador pueden ser peligrosos si se los utiliza en un área no ventilada. Trabaje siempre en un área con buena ventilación.

Required Tools

- Sierra circular con hoja de carburo de entre 60 y 80 dientes
- Cinta métrica
- Cinta de enmascarar (la ideal es la de 2" [5 cm] de ancho)
- Pistola para enmasillar
- Toallas de papel o toallas de taller limpias

Contenido del kit

Confirme que el kit esté completo antes de comenzar la instalación.

Kit de asiento SB-1248

(51-5/16 de largo x 14 de ancho x 1-9/16" de grosor; 16,5 libras)
(130,3 de largo x 35,6 de ancho x 4 cm de grosor; 7,4 kg)

1 — Panel del asiento (12-3/4 x 48" [32,4 x 122 cm])

Kit de instalación SS-29

(13-3/4 de largo x 13-3/4 de ancho x 3-1/8" de grosor; 7 libras)
(35 de largo x 35 de ancho x 8 cm de grosor; 3,2 kg)

4 — Cartuchos de sellador de silicona transparente para los paneles delantero, trasero y lateral

1 — Tubo de sellador 100% silicona de color al tono para las esquinas, las molduras de las esquinas y el estante empotrado

1 — Tubo de sellador de silicona blanca para enmasillar alrededor del perímetro exterior de la ducha

Desembalaje

- Tenga cuidado al abrir la caja de manera tal de no dañar los paneles.
- Este producto se envía a usted o al centro minorista después de una minuciosa inspección. Cuando haya adquirido el kit, desempáquelo cuidadosamente e inspeccione el producto para ver si sufrió algún daño durante el envío. De ser así, notifíquelo de inmediato a la tienda donde lo adquirió. Después de la inspección y durante la instalación, proteja los productos para que no se dañen durante la construcción. Para eso, déjelos en otra habitación o área hasta que llegue el momento de colocarlos.
- Hasta el momento de la instalación, guarde los paneles en un sitio plano para evitar que se comben. No los deje fuera de su envoltorio original en posición vertical.
- Si tiene alguna pregunta respecto de la instalación de esta unidad, comuníquese con nosotros utilizando el número ubicado en la parte lateral de la caja o en el frente de este manual.

Consejos útiles

- Lea estas instrucciones atentamente y familiarícese con las diferentes piezas del kit.
- La variedad de instalaciones que se pueden realizar con este kit puede requerir procedimientos diferentes de los que aquí se describen. Compruebe que la construcción tenga el tamaño correcto, y que se encuentre bien centrada y en escuadra.
- Permita que las piezas de este kit tomen temperatura ambiente antes de colocarlas. No recomendamos instalar este producto con temperaturas inferiores a los 65 grados °F (18 °C).
- Le resultará útil emplear caballetes con miembros transversales de 2 x 4" (5,08 x 10,16 cm) o una mesa de trabajo durante el proceso de instalación.
- Siempre transporte los paneles de manera vertical. Tenga cuidado al colocar los paneles en forma plana para evitar combarlos, en especial si tienen un contorno recortado.
- Deje el material que no utilice lejos del área de trabajo para evitar accidentes.

Consejos de preparación

- Corte el suministro de agua fría y caliente.
- Verifique que todo el trabajo eléctrico o de plomería dentro de las paredes esté terminado antes de instalar el asiento.
- Prepare el área con una placa de concreto o contrachapado de estilo marino, de mampostería sin mortero, resistente a la humedad, de 1/2" (13 mm). Nunca instale nuestros productos directamente sobre una superficie que esté húmeda o que pueda humedecerse.
- Presente el panel antes de comenzar. Los paneles Swanstone tienen un lado terminado y un lado reverso sin terminación. El panel Swanstone trae uno o varios autoadhesivos en el lado sin terminación y, cuando se lo instala, ese lado debe ir colocado contra la superficie de montaje.
- La superficie de montaje debe estar libre de suciedad, películas, ceras o cualquier otro residuo.

Consejos para el enmasillado

- Siga las instrucciones que se detallan en el tubo de la masilla.
- Cuando haya finalizado el trabajo, inspeccione las áreas de enmasillado para ver si queda alguna grieta y rellene según sea necesario.
- Limpie el excedente de silicona con alcohol desnaturalizado y un trapo limpio.
- Tenga cuidado de no tocar las uniones de masilla.

Los paneles Swanstone se pueden instalar sobre una variedad de productos. Si tiene intenciones de colocar los paneles sobre alguna superficie diferente de las descritas, consulte con un contratista profesional. Utilice las siguientes secciones para instalar el producto sobre:

- PLACA DE YESO/GREENBOARD/PLACA DE CEMENTO/MADERA

Placa de yeso, greenboard, placa de cemento o madera

- La superficie debe estar seca, lisa y libre de polvo, restos de jabón o cualquier otro contaminante.
- Para asegurar una buena adhesión del producto Swanstone, se debe sellar la superficie de la pared con un sellador/imprimador acuoso u oleoso.
- Una vez que el imprimador/sellador está totalmente seco, complete la instalación siguiendo las instrucciones que se detallan en este manual.

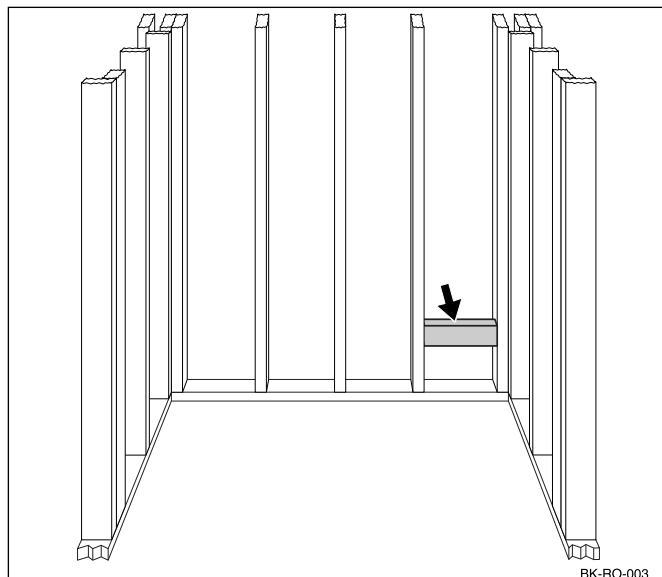
Si las respeta al pie de la letra, estas instrucciones de instalación le permitirán colocar el producto Swanstone fácilmente, sin problemas. Si usted realiza una instalación diferente de la que aquí se describe, con más o menos pasos, sin contar con previa aprobación escrita de nuestro Departamento de Servicio al Cliente, la garantía de este producto quedará anulada. Si no respeta las indicaciones, también podría ocasionar lesiones personales, daños por el contacto con el agua u otro tipo de daños en los pisos, tuberías, paredes u otras partes de su casa o edificio.

Descargo de responsabilidad

- La información contenida en este manual de instalación se proporciona en forma gratuita. Se basa en datos técnicos que consideramos confiables y se la provee con el propósito de que la utilicen personas que poseen conocimientos en esta área técnica, según su criterio y bajo su propia responsabilidad. Swanstone no asume ninguna responsabilidad por los resultados que se obtengan o por los daños que pueda ocasionar el uso que el comprador haga de este material, ya sea en parte o en su totalidad.
- Este manual contiene instrucciones básicas para instalar el producto en una secuencia paso a paso que resulta adecuada para la mayoría de las instalaciones. Si necesita realizar un tipo de instalación no incluida en este manual, comuníquese con su distribuidor local de Swanstone o comuníquese directamente con The Swan Corporation para obtener información adicional sobre su aplicación.
- Siga todas las instrucciones de instalación. Si no respeta las indicaciones, podría ocasionar lesiones personales, daños por el contacto con el agua u otro tipo de daños en los pisos, tuberías, paredes u otras partes de su casa o edificio.

Las ilustraciones de esta sección muestran una construcción nueva, pero puede agregar el asiento a un cerramiento de ducha ya existente.

1. Agregue un puntal de 2 x 4" (5,08 x 10,16 cm) para sujetar la estructura del asiento. La altura del puntal debería ser la misma que la del asiento, la cual puede variar según las necesidades de quien vaya a utilizar la ducha.

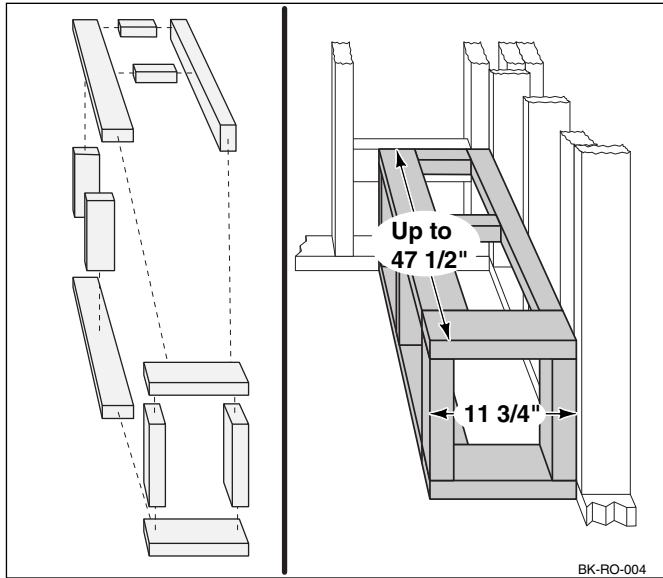


Procedimiento de instalación

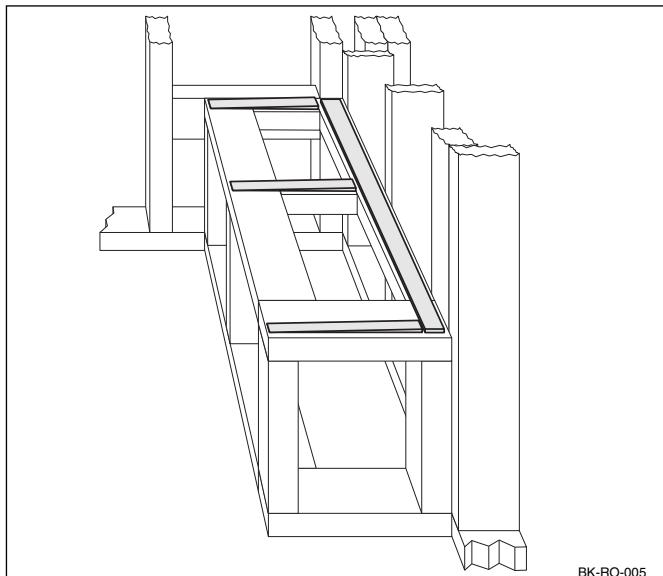
2. Construya la estructura para el asiento tal como se muestra en la figura, empleando travesaños de 2 x 4" (5,08 x 10,16 cm) de madera o acero. La estructura para el asiento debería ser de 11-3/4" (29,8 cm) de profundidad y puede tener hasta 47-1/2" (120,7 cm) de largo, según dónde vaya a colocarlo.

AVISO IMPORTANTE

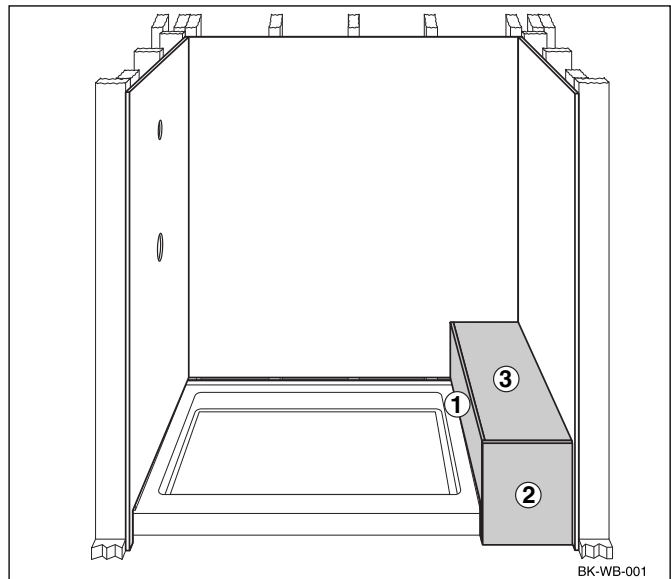
Los puntales centrales son necesarios para sostener correctamente el peso que se coloque sobre el asiento. Si no coloca estos puntales, la garantía del producto quedará anulada.



3. A fin de que no se acumule agua sobre el asiento, corte y coloque tres espaciadores de 2" (5,08 cm) de ancho sobre cada uno de los travesaños de 2 x 4, tal como puede verse en la figura. Un espaciador de material estándar es adecuado. Los espaciadores deben tener un grosor de 1/8" (0,32 cm) e ir estrechándose hasta 0". También coloque un espaciador de 1/8" (0,32 cm) de grosor a lo largo de la pared donde se apoyará la parte trasera del asiento.



4. Coloque una placa de cemento o greenboard resistente a la humedad sobre todas las superficies del área correspondiente al asiento (1, 2 y 3). Siga las recomendaciones del fabricante de los paneles de pared respecto de la instalación.



5. Aplique una capa de imprimador/sellador acuosos u oleosos sobre todas las superficies de la placa de cemento o greenboard (siga las instrucciones del fabricante). Deje que el imprimador seque bien antes de colocar la silicona transparente.

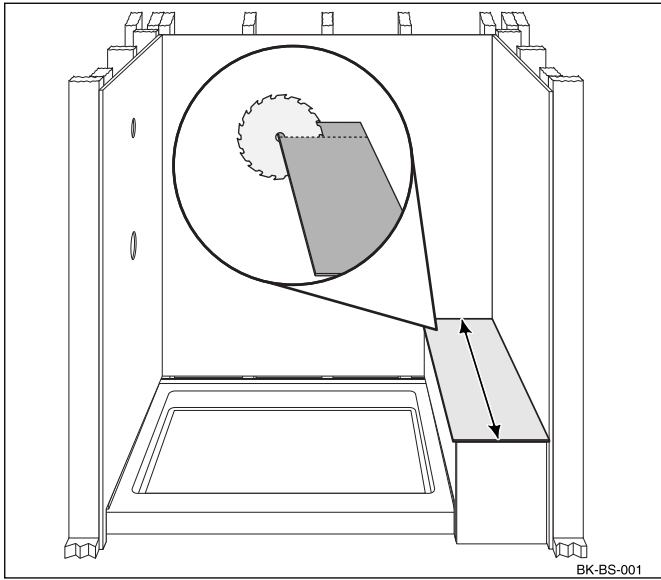
⚠ ADVERTENCIA



Peligro por polvillo

Cuando corte o perforo un producto Swanstone, emplee algún método para recoger el polvo que impida que las partículas de polvo se dispersen por el aire. Trabaje siempre en un área con buena ventilación. En todo momento, use una máscara contra polvillo aprobada por OSHA al cortar, perforar o lijar los productos Swanstone.

- Corte el panel para el asiento según el largo necesario.



NOTA: El largo del asiento puede variar, según la saliente que se desee tener y el tipo de material que se utilice para cubrir el extremo del asiento. El ancho del asiento está pre-cortado en 12-3/4" (35,28 cm) para tener una saliente de 1/2" (1,27 cm).

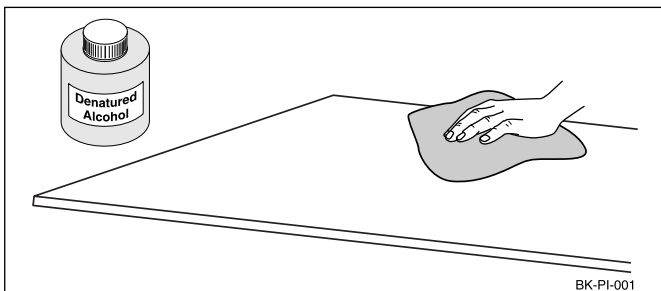
! ADVERTENCIA



Peligro por vapores

Los vapores y emanaciones provenientes de la silicona y solventes empleados por el instalador pueden ser peligrosos si se los utiliza en un área no ventilada. Trabaje siempre en un área con buena ventilación.

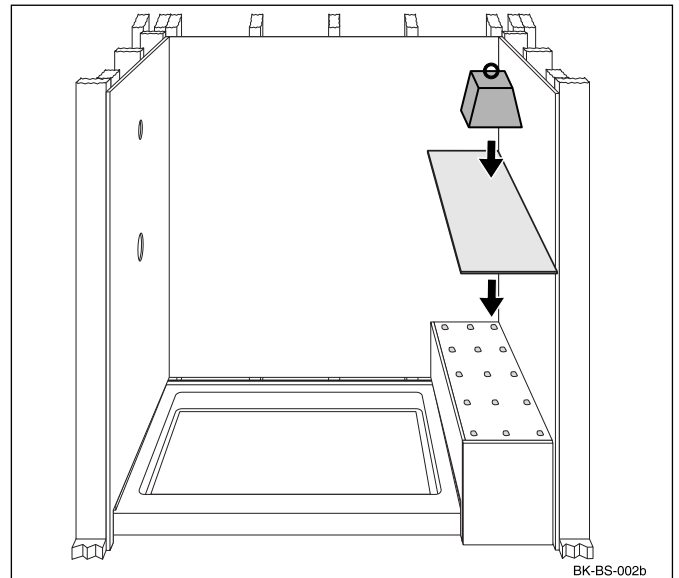
- Limpie el reverso de cada panel con alcohol desnaturalizado o algún otro solvente de limpieza que no tenga aceite.



AVISO IMPORTANTE

No utilice productos de limpieza oleosos, tales como alcoholes minerales, para limpiar los paneles. El aceite del limpiador impedirá que el panel se adhiera bien a la pared.

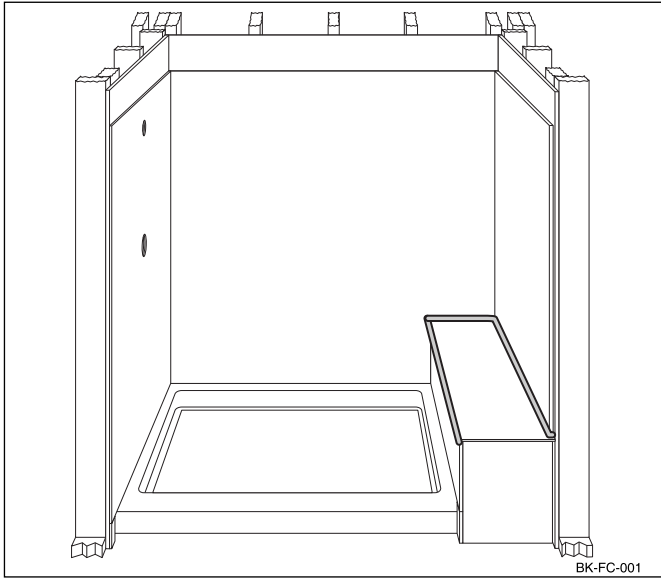
- Aplique la silicona en puntos de 1-1/4" (3,18 cm) de diámetro cada 8-10" (20-25 cm) sobre la superficie del panel. Siga las instrucciones del fabricante de la silicona y respete todas las precauciones de ventilación e instalación.
- Sitúe el asiento sobre la silicona, con los bordes redondeados hacia afuera. Verifique que esté bien situado y coloque algún peso encima del asiento para sostenerlo firmemente en su lugar.



AVISO IMPORTANTE

Siga las instrucciones del fabricante detalladas en el tubo para colocarlos correctamente. Deje secar el sellador al menos 24 horas antes de usar el cerramiento de la ducha.

10. Coloque un cordón del sellador 100% silicona del mismo color (incluido en el kit) sobre los bordes superiores del asiento. Coloque también un cordón de este sellador debajo del borde delantero del panel del asiento.



Con esto, habrá completado la instalación. NO deseche estas instrucciones de instalación. DEBE CONSERVARLAS EL DUEÑO DE CASA.

Cuidado y limpieza

Los productos Swanstone son resistentes a las manchas y la abrasión. Sin embargo, la terminación que poseen necesita un cuidado razonable.

AVISO IMPORTANTE

Dado que los productos de limpieza van cambiando con el tiempo, siempre lea las instrucciones de los fabricantes para verificar si se pueden usar sobre superficies plásticas. NO use un producto de limpieza si su etiqueta indica que no se lo debe utilizar con plásticos. NO use limpiadores en spray que requieran uso diario y que no se puedan enjuagar inmediatamente con agua para detener la acción limpiadora del producto químico porque ello producirá daños y anulará la garantía.

Limpieza diaria

Simplemente, limpie las superficies con una toalla limpia para quitar las marcas de agua y los residuos. Todos los productos Swanstone se pueden limpiar con agua tibia, un trapo suave y detergentes o limpiadores domésticos comunes, tales como Fantastic, Formula 409, Clorox Clean-up, Handy Andy, Mr. Clean o Lestoil (o productos similares). Deje actuar el limpiador durante cinco minutos y enjuáguelo.

De tanto en tanto, puede restregar la superficie con limpiadores abrasivos domésticos para mantener el lustre original del producto.

Juntas de masilla

Inspeccione las juntas de masilla una vez al mes para ver si se han dañado o presentan algún signo de estar separándose de la superficie de contacto. Si hay grietas en las juntas, el agua podrá pasar y penetrar en las superficies de alrededor. **Vuelva a aplicar masilla en cualquiera de las juntas que se esté deteriorando o agrietando.** Si no inspecciona y repara las juntas de masilla, la garantía del producto quedará anulada.

Reparación de la superficie

Rasguños menores

Utilice un papel de esmerilar de granalla del 400 para eliminar los rasguños leves de la superficie.

Rasguños profundos o muescas

Para muescas o rasguños más marcados, use papel de esmerilar de granalla del 220 o 320. También puede usar algún material de relleno, tal como "Scotchbright pad" para difuminar la reparación con el área circundante.

GARANTÍA LIMITADA PARA APLICACIONES RESIDENCIALES

Si un representante autorizado por The Swan Corporation realiza la inspección y reconoce que un producto Swanstone cubierto por esta garantía presenta defectos de material o de colocación, nos encargaremos de la reparación o, según lo decidamos, del cambio del producto por un modelo similar. Esta garantía se extiende por el período de tiempo determinado, siempre y cuando el producto siga estando en el sitio en que fue originalmente instalado.

Esta garantía cubre los productos instalados según las instrucciones de instalación de The Swan Corporation, utilizados según las recomendaciones dadas y no dañados debido a uso indebido, abuso o instalación incorrecta. No se aplica a las uniones o modificaciones que algún fabricante o comerciante profesional le haya hecho al producto.

Esta garantía sólo se aplica para el comprador original y la instalación original de estos productos en aplicaciones residenciales. No se aplica para aplicaciones comerciales.

La opción que tiene The Swan Corporation de reparar o cambiar el producto según lo estipula esta garantía no cubre los costos de mano de obra ni otros costos por quitar o instalar el producto, ni tampoco The Swan Corporation acepta responsabilidad alguna por cualquier otro daño incidental o resultante que pueda atribuírsele a un defecto del producto o a la reparación o cambio de un producto defectuoso.

Garantía limitada para toda la vida

Paneles de pared, kits de terminaciones y accesorios Swanstone

Pisos para ducha Swanstone

GARANTÍA LIMITADA PARA APLICACIONES COMERCIALES

Si un representante autorizado por The Swan Corporation realiza la inspección y reconoce que un producto Swanstone cubierto por esta garantía presenta defectos de material o de colocación, nos encargaremos de la reparación o, según lo decidamos, del cambio del producto por un modelo similar. Esta garantía se extiende por el período de tiempo determinado, siempre y cuando el producto siga estando en el sitio en que fue originalmente instalado.

Esta garantía cubre sólo los productos instalados según las instrucciones de instalación de The Swan Corporation, utilizados según las recomendaciones dadas y no dañados debido a uso indebido, abuso o instalación incorrecta. No se aplica a las uniones o modificaciones que algún fabricante o comerciante profesional le haya hecho al producto.

Esta garantía sólo se aplica para el comprador original y la instalación original de estos productos en aplicaciones comerciales.

La opción que tiene The Swan Corporation de reparar o cambiar el producto según lo estipula esta garantía no cubre los costos de mano de obra ni otros costos por quitar o instalar el producto, ni tampoco The Swan Corporation acepta responsabilidad alguna por cualquier otro daño incidental o resultante que pueda atribuírsele a un defecto del producto o a la reparación o cambio de un producto defectuoso.

Garantía limitada de 25 años

Paneles para paredes de ducha y para tina, kits de terminaciones y accesorios Swanstone

Garantía limitada de 10 años

Pisos para ducha Swanstone

Conserve estas instrucciones de instalación para poder consultarlas en el futuro. Proporcionan información importante sobre la limpieza, mantenimiento y reparación de superficie de los paneles y sistemas de pared Swanstone.

