

# Dex Wall

4154301, 4454302, 4554302, 4654303 | 1.0

## GENERATION LIGHTING WALL

### GENERAL PRODUCT INFORMATION:

These fixtures are intended to be installed utilizing NEC compliant junction boxes.

This product is safety listed for damp locations.

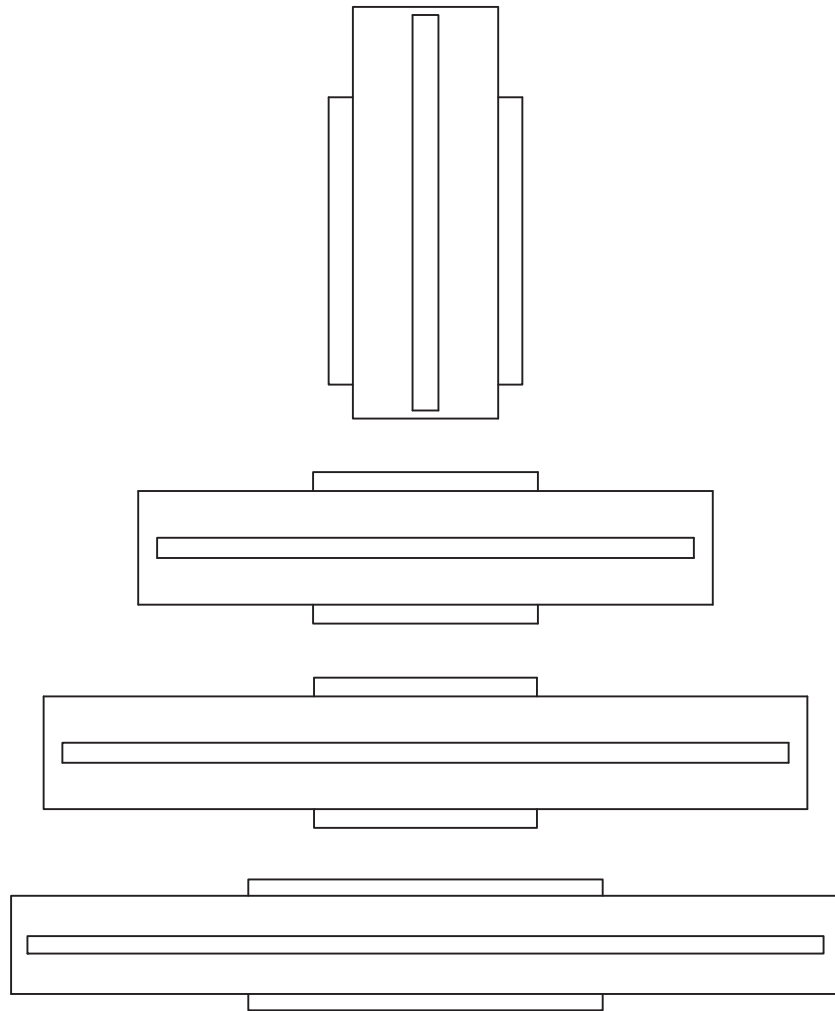
This instruction shows a typical installation.

### CAUTION - RISK OF FIRE

This product must be installed in accordance with the applicable installation code by a person familiar with the construction and operation of the product and the hazards involved.

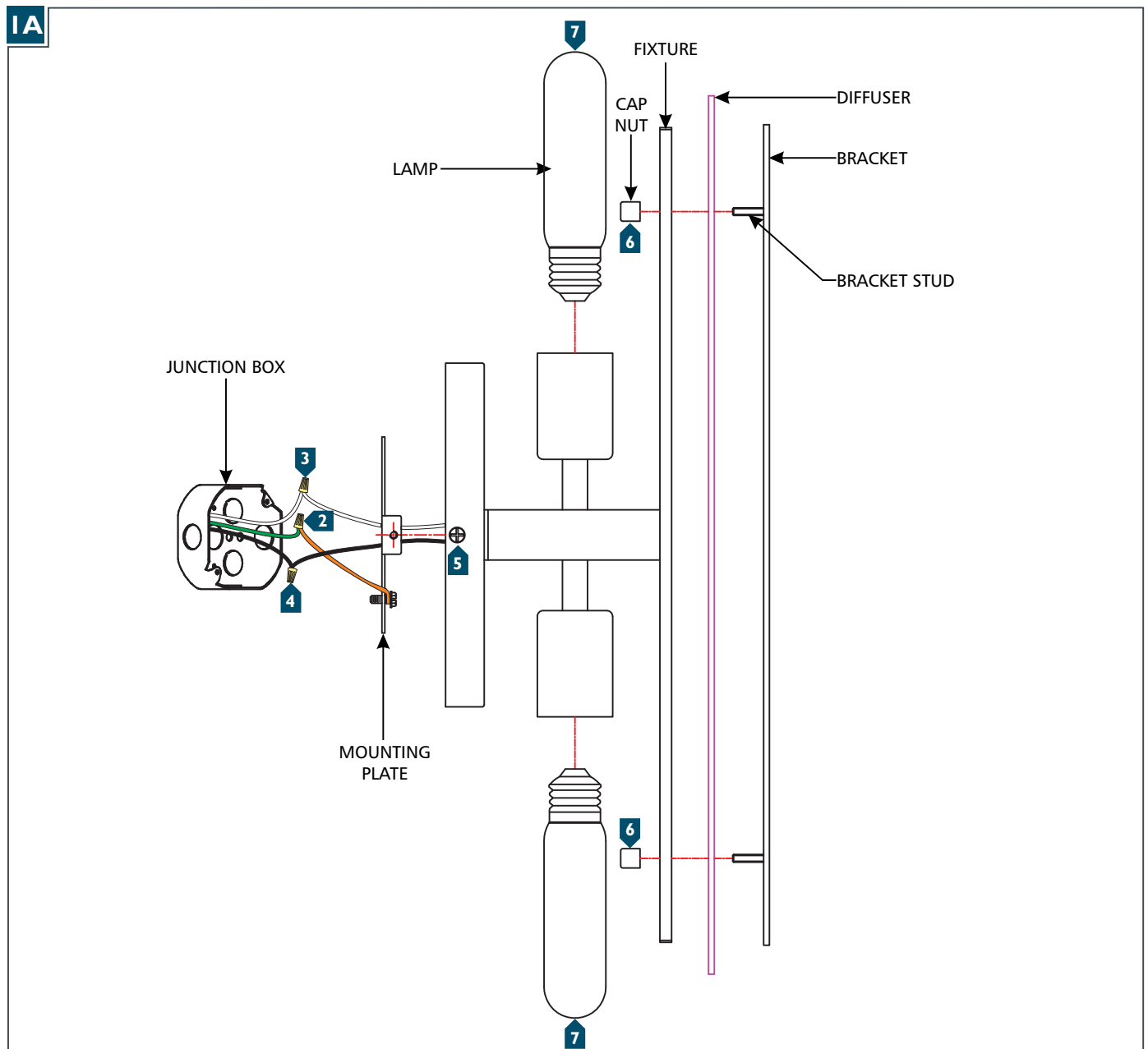
Use minimum 90°C supply conductors.

**SAVE THESE INSTRUCTIONS!**



GENERATION LIGHTING  
 7400 Linder Ave., Skokie, IL 60077  
 T 847.410.4400 | F 847.410.4500  
 www.generationlighting.com

## Install the Fixture



- 1 Secure the mounting plate to the junction box or wall.
- 2 Connect the fixture to a suitable ground in accordance with local electrical codes.
- 3 Connect the white fixture wire to the neutral power line wire with a wire nut.
- 4 Connect the black fixture wire to the hot power line wire with a wire nut.
- 5 Neatly place the wires into the junction box, place the fixture onto the mounting plate, and secure it with the fixture screws.
- 6 Place the diffuser on the bracket studs, align the studs with the holes on the fixture, insert the studs through the fixture, and secure them together by screwing the cap nuts onto the studs from behind.
- 7 Screw the lamp(s) into the socket(s). Refer to the label on the socket for Max Wattage Information.