

## Westmere Sink

### FEATURES:

---

- Overflow drain
- Vitreous China
- For Oval Cutout: 16-3/4" x 13-3/4"
- Basin clamps included

### STANDARDS:

---

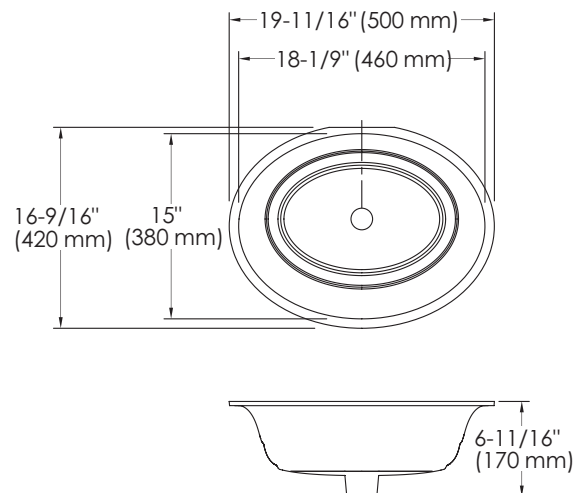
- cUPC certified
- ASME A112.19.2/CSA B45.1 compliant

### WARRANTY:

---

Visit [www.speakman.com](http://www.speakman.com) for full product warranty information

- 1 Year Limited Warranty



All dimensions are in inches (millimeters) unless otherwise specified and are subject to change without notice.

Architect/Engineer Approval Space:

P: 800-537-2107  
F: 800-977-2747  
W: [WWW.SPEAKMAN.COM](http://WWW.SPEAKMAN.COM)  
R: 01-MAY 2020