

**DESCRIPTION**

Stainless Steel 1-Station Wall-Mounted Scrub Sink.

**DETAILS**

- Material: Stainless Steel
- Width: 30" (762mm)

**FEATURES**

Single Station Stainless Steel Scrub Sink with Sensor Activated, 24 VAC, Chrome Plated Brass Hand Washing Faucet with the following features:

- Sink constructed from 14 gauge, Type 304 stainless steel with bead blast finish on sink bowl interior for superior wash-down characteristics
- 18 gauge "lift-out" style front access panel for easy maintenance access
- Unit supplied with 20" flexible supply hoses
- Sloan OPTIMA Faucet for hands-free operation
- Sink is shipped pre-plumbed for easy installation
- Below Deck Thermostatic Mixing Valve
- Single Station Scrub Sink with Laminar Flow
- Spray Head (2.2 gpm/8.3 Lpm max.)

**COMPLIANCES & CERTIFICATIONS**

(cUPC Certified, BAA Compliant)

**RECOMMENDED SPECIFICATION**

Sloan Stainless Series Scrub Sink model no. ESS 2X00. Product to be made of 14 gauge type 304 stainless steel with Sloan sensor faucets. Sink design to be ADA compliant.

**DOWNLOADS**

- [Optima ESS-2000/3000 Series Installation Instructions](#)
- [Optima ESS-2000/3000 Series \(Spanish\) Installation Instructions](#)
- [EHS-1000/ESS-2000/3000 Series Repair and Maintenance Guide](#)
- [Additional Downloads](#)

**NOTES**

All information contained within this document subject to change without notice.

Looking for other variations of the ESS-2100 product? [View the general spec sheet with all options.](#)

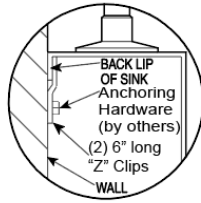
[Find a compatible faucet](#) for this sink.

[Find a matching soap dispenser](#) for this sink.

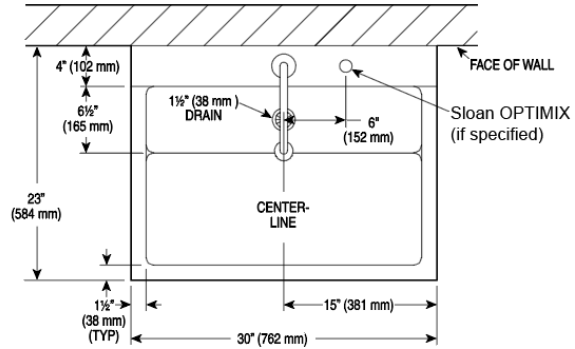
Sloan 10500 Seymour Ave, Franklin Park, IL 60131

Phone: 800.982.5839 • Fax: 800.447.8329 • [sloan.com](http://sloan.com)

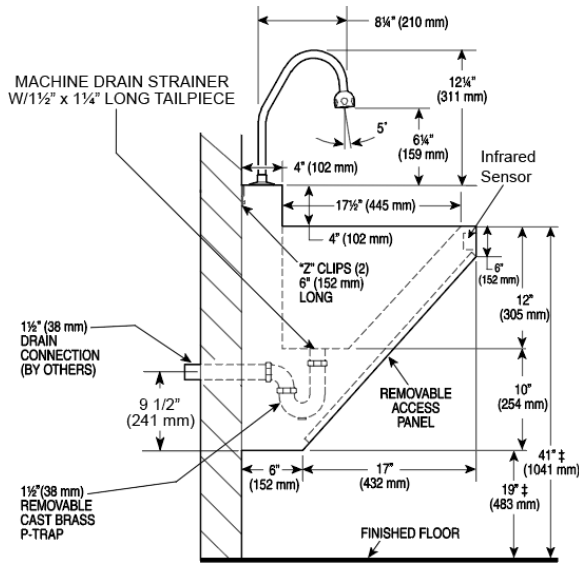
**ROUGH-IN**



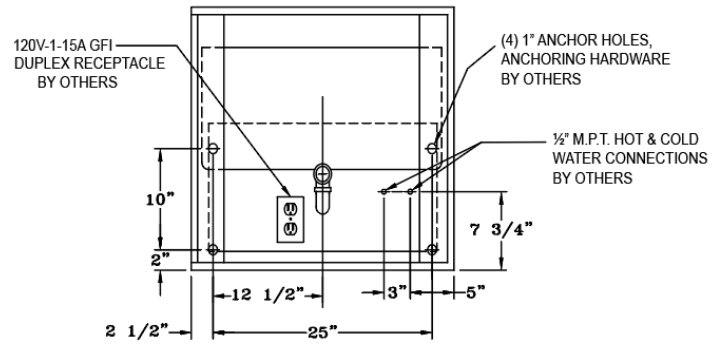
**"Z" CLIP DETAIL**



**PLAN VIEW**



**SIDE VIEW**



**BACK VIEW**

‡ MOUNTING HEIGHT CAN VARY TO MEET INSTALLATION REQUIREMENTS