

# WASTE CONTAINER POLYMER LIDS

The Waste Container Lids Collection is designed to fit the 35 qt. and 50 qt. Rev-A-Shelf® Waste Container products.

## INSTRUCTIONS:

Insert the under-side slots of lid into the upper edge of your compatible waste container.

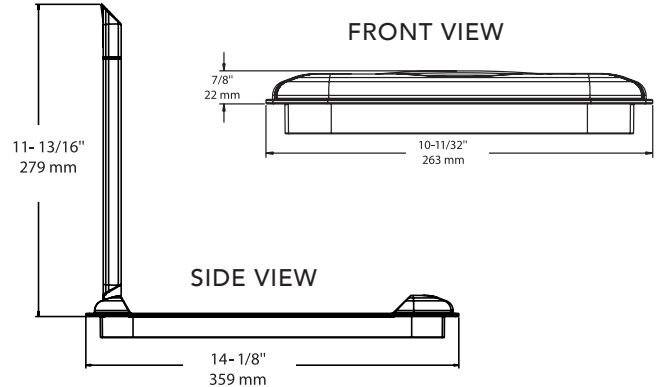
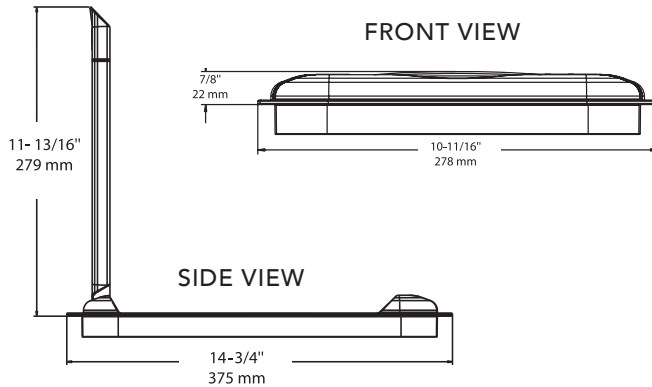


**NO TOOLS REQUIRED**



**INSTALL TIME: NONE**

DIMENSIONS



CONTAINERS

**50 qt.**



**35 qt.**



**RV Series**

**RV-35-LID**  
**RV-50-LID**



**AVAILABLE COLORS:**



## Problem with fit?

Check your container series.

**Rev-A-Shelf® series numbers are located on the bottom of all waste containers.**

12400 Earl Jones Way  
 Louisville, KY 40299  
 rev-a-shelf.com  
 Customer Service: 800-626-1126

