

# TRANSITIONAL 1020

## Instant Hot and Cold Water Faucet FHC1020

### FEATURES:

- Hot and cold water faucet – dispenses near-boiling water and cold drinking water
- For use with an InSinkErator instant hot water tank and filtration system (sold separately)
- For instant cold water, use with an InSinkErator water chiller (sold separately)
- Self-closing hot valve for automatic shut off
- Handles move forward to avoid hitting backsplash
- Spout swivels 360° for convenience

### MATERIAL:

- Reverse osmosis certified and compatible per NSF/ANSI 58
- Solid brass construction
- Corrosion resistant ceramic disc valve

### FINISHES:

Chrome • Stainless Steel • Arctic Steel • Classic Oil Rubbed Bronze

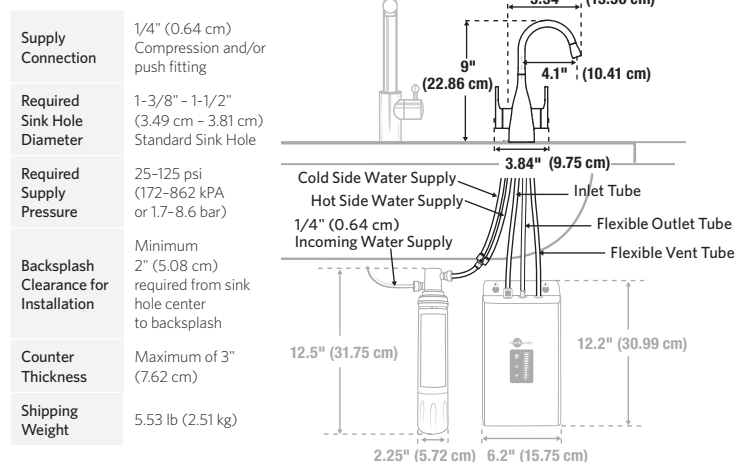
### WARRANTY:

We Come To You® 5-Year In-Home Limited Warranty. Covers parts and labor.

The complete InSinkErator warranty is included in the Care & Use booklet with each unit.

### CERTIFICATIONS:

NSF/ANSI 372 • NSF/ANSI 58 • NSF/ANSI 42/53  
NSF/ANSI 61 • ASME A112.18.1 • UPC Certified  
ASSE 1023 • ADA Compliant



USA: 1.800.558.5700 [www.insinkerator.com](http://www.insinkerator.com)  
CA: 1.800.561.1700 [www.insinkerator.ca](http://www.insinkerator.ca)

InSinkErator may make improvements and/or changes in the specifications at any time, in its sole discretion, without notice or obligation and further reserves the right to change or discontinue models.

©2020 InSinkErator, InSinkErator® is a business unit of Emerson Electric Co. All rights reserved.