

NEWPORT BRASS VALVE

Thermo Rough Valve **1-540**

Features

- Solid brass construction
- Provides anti-scald protection and temperature regulation
- Must use with separate stop/volume control
- High-temperature safety stop ensures water temperature stays below maximum setting
- Integral hot and cold inlet stops ensure easy cartridge access
- 3/4" NPT female thread (inlet and outlet) valve body
- Mounting tabs located on rough-in for secure installation option
- Single outlet configuration
- 17.5 gpm (gallons per minute) flow rate (@ 45 psi)
- Requires Newport Brass 3/4" Thermostatic Trim (many options available, sold-separately)

Codes / Standards Compliance

Meets or exceeds the following at date of manufacture:

- ASME A112.18.1/CSA B125.1
- IAPMO/Cupc
- IPC
- ASSE 1016
- All applicable US Federal and State material regulations



Specified Model

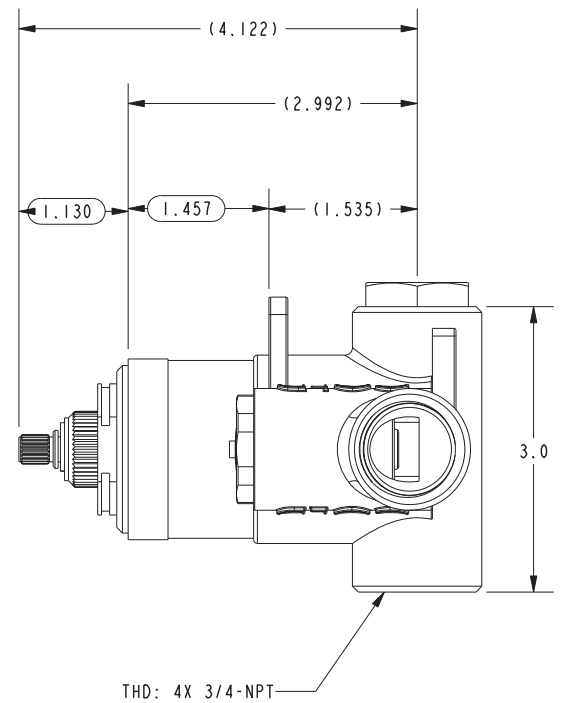
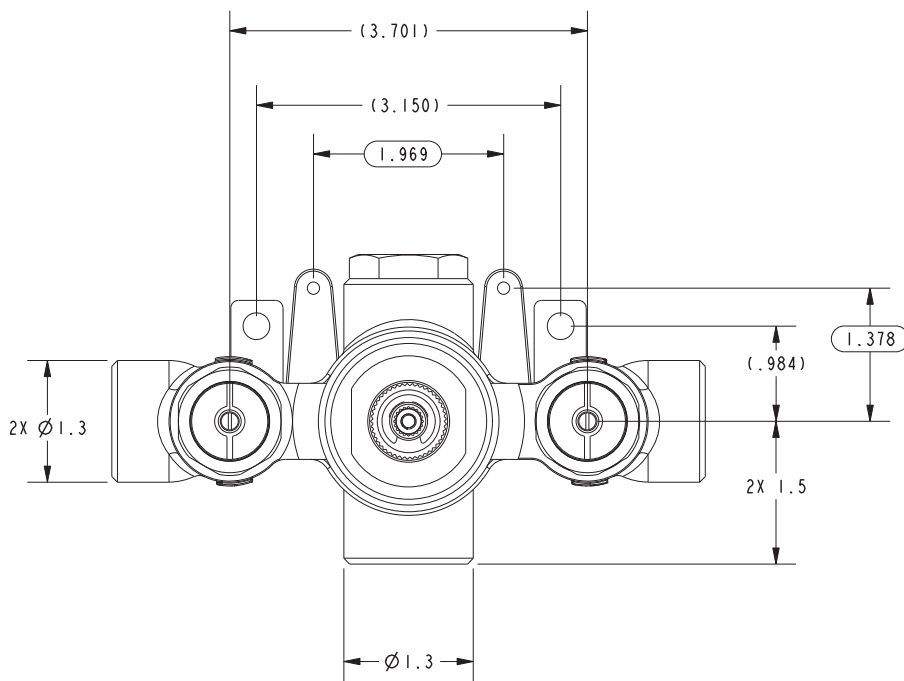
Model	Description	Colors Finishes
1-540	3/4" Thermostat Valve For Shower Installations	<input type="checkbox"/> NA

Product Specification: Add "Color / Finish" suffix to Model number, below.

The Thermostat Valve for shower installations shall be made of solid brass construction. Valve shall provide anti-scald protection and temperature regulation while maintaining a constant set temperature of +/- 2° F when exposed to in-line pressure variations. Valve shall have a maximum flow rate of 16.0 gpm (gallons per minute) @ 45 psi. Valve inlets shall include integral stops and incorporate 3/4" NPT female thread for inlets and outlet. Valve shall incorporate mounting tabs along the back surface. Thermostat Valve for shower installations shall be Newport Brass Model 1-540.

1-540

PRODUCT DIMENSIONS *(Units are in inches)*



Newport Brass Valve 1-540