

Sage® Technical Specification

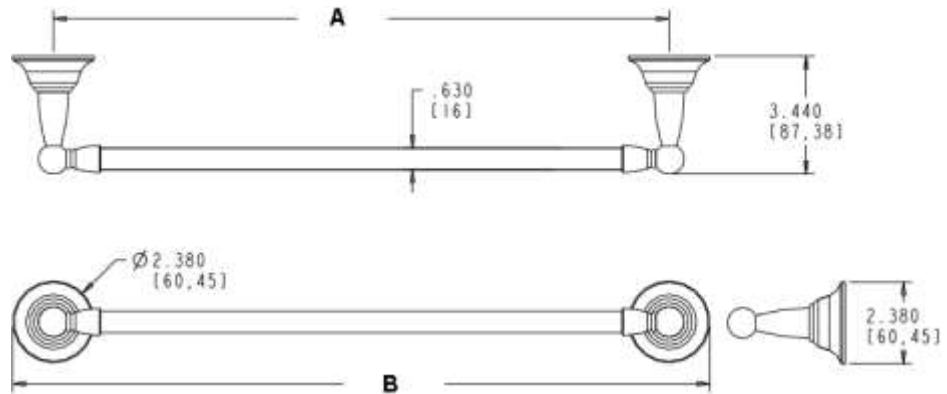
18" & 24" Towel Bar

DN6818 & DN6824

Stock Numbers:

- ❑ **DN6818CH – 18" Towel Bar**
Chrome Finish
- ❑ **DN6824CH – 24" Towel Bar**
Chrome Finish
- ❑ **DN6818BN – 18" Towel Bar**
Brushed Nickel Finish
- ❑ **DN6824BN – 24" Towel Bar**
Brushed Nickel Finish
- ❑ **DN6818ORB – 18" Towel Bar**
Oil Rubbed Bronze Finish
- ❑ **DN6824ORB – 24" Towel Bar**
Oil Rubbed Bronze Finish

Dimensions:



Length	18"	24"
Dim. A	18.00	24.00
Dim. B	20.38	26.38

Materials:

Towel bar posts are constructed of zinc. **CH** bar is aluminum. **BN & ORB** bar is brass.

Installation Instructions:

1. Position the mounting template on the wall in the desired location. Using a level, align the template and tape it to the wall.
2. Remove each mounting post from the body by loosening the setscrew.
3. Place each mounting post on the template with notch facing down.
4. One at a time, place each anchor screw through the mounting post, centered in the large hole. Using a Phillips screwdriver, turn the anchor screw while applying pressure. Screw will self drill and tap into dry wall.
5. Only insert screw 1/2 to 3/4 of the way.
6. After all screws are installed, tear the template away from the wall.
7. Tighten all 4 the screws. Do not over tighten.
8. Assemble the Towel bar and posts.
9. While assembled, Position each end post with the setscrew down and place over mounting posts. Tighten the setscrew at the bottom of each base.

Cleaning Instructions:

To preserve the fine finish of this product, clean only with a soft damp cloth. Dry well. Do not use commercial or abrasive cleaners.

Stock Number: _____ **Towel Bar**
By Creative Specialties



25300 AL MOEN DRIVE • NORTH OLMSTED, OH 44070
CORPORATE HEADQUARTERS: (800) 321-8809 • FAX: (800) 848-6636
INTERNATIONAL: (440) 962-2000 • FAX: (440) 962-2726
CUSTOMER SERVICE (USA): 800-882-0116 • FAX: (888) 379-2720
WWW.MOEN.COM

©Copyright Creative Specialties International

Literature #BA1146