



shown in Textured Bronze
with Walnut blades



Lindsay

Designed in 2019

The Lindsay ceiling fan offers a simple, yet refined air flow solution to any space. The two elegant, solid wood blades quietly circulate air as they revolve around an understated central motor housing. Integrated into the design is an eco-friendly, dimmable LED light kit which will provide illumination for decades to come. The Lindsay is available in matte black, matte white, and textured bronze finishes. Blade finish options are barn wood, matte black, matte white, and walnut. Constructed of cast aluminum and heavy stamped steel, Lindsay carries a limited lifetime warranty.

Blade Options



shown in Matte Black
with Matte Black blades



shown in Matte White
with Matte White blades





shown in Matte Black
with Walnut blades



shown in Matte White
with Barn Wood blades

SKU NAMING CONVENTION		
SKU#	LW-XXX-XXX (Model+Finish+Blade)	
Standard Finishes	Matte Black Matte White Textured Bronze	- BK - MWH - TB
Blade Finish	Barn Wood Matte Black Matte White Walnut	- BW - BK - MWH - WA

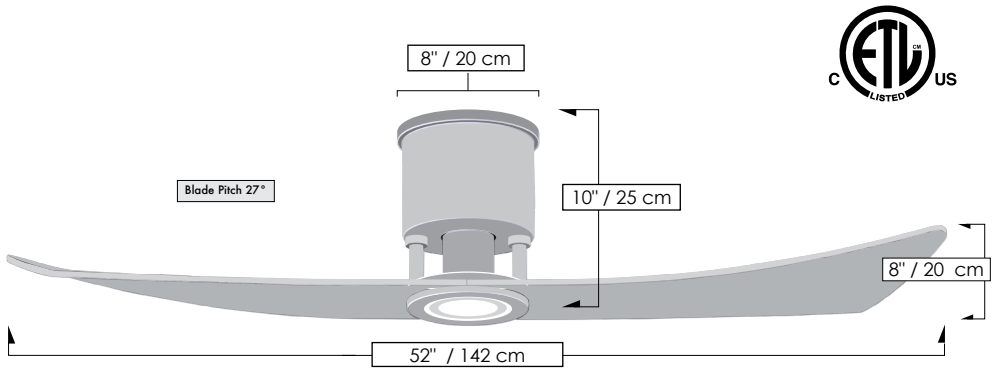
STANDARD EQUIPMENT	
Black 6-speed RF remote control with reverse function 	White wireless Decora-style, 6-speed, wall control 
NOTE: Only compatible with included controllers.	

CEILING PITCH TABLE	
0/12	0 degrees
1/12	4.76 degrees
2/12	9.46 degrees
3/12	14.04 degrees
4/12	18.43 degrees
5/12	22.62 degrees
6/12	26.57 degrees
7/12	30.26 degrees
8/12	33.69 degrees
9/12	36.87 degrees
10/12	39.81 degrees
11/12	42.51 degrees

CEILING HEIGHT TABLE
Suitable for ceiling heights 7'10" or greater

Lindsay

TECHNICAL SPECIFICATIONS



FAN SPECIFICATIONS

Fan Diameter	52 inches / 132 cm
Overall Drop	10 inches / 25 cm
Fan Weight	11 lbs
Voltage	110 (Please constact us for 220 conversion)
Motor Type	DC
Environment	Damp locations for all finishes Neither coastal, saltwater nor chlorine compatible
Ambience	Silent
Safety Certification	ETL / CETL
Warranty	Limited Lifetime

NEW JAN 21, 2020 DOE MOTOR EFFICIENCY DATA

RPM (Low / High)	51 / 220
CFM (Low / High)	1097 / 4955
Watts (High)	29.61
CFM/Watt (High)	166
Blade Pitch	45°

LIGHT KIT PHOTOMETRICS

Lamping (Replaceable)	Remote Dimmable	Delivered Temperature in K	Delivered Lumens	CRI	Watts	Hours
Integrated LED	Yes	2940	557	92	17	37,000

Light kit longevity if used 6 Hours/Day: 16.9 years

