



shown in Textured Bronze with 42" Walnut blades



shown in Matte Black with 42" Barn Wood blades



shown in Brushed Brass with 60" Walnut blades

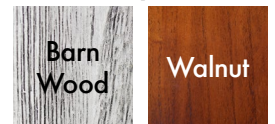


# Irene-5H

Designed in 2013

Cutting a figure like no other, the Irene-5H ceiling-mount fan, is rustic, yet strikingly modern with five neatly joined, solid wood walnut or barn wood tone blades. A cylindrical motor housing complements its minimal profile. Irene-5H is streamline while still appearing warm and natural. Constructed of cast aluminum and heavy stamped steel, the Irene-5H has a limited lifetime warranty.

## Blade Options



shown in Brushed Nickel with 52" Walnut blades



shown in Gloss White with 42" Barn Wood blades



shown in Polished Chrome with 60" Barn Wood blades

### SKU NAMING CONVENTION

SKU#	<b>IR5H-XX-XX-XX</b> (Model+Finish+Blade+Diameter)	
Finishes <i>(Ask us about custom colors)</i>	Brushed Brass	- <b>BRBR</b>
	Brushed Nickel	- <b>BN</b>
	Gloss White	- <b>WH</b>
	Matte Black	- <b>BK</b>
	Polished Chrome	- <b>CR</b>
	Textured Bronze	- <b>TB</b>
Blade Finish	Barn Wood Tone	- <b>BW</b>
	Walnut Tone	- <b>WA</b>
Fan Diameter	42 inches / 107 cm	- <b>42</b>
	52 inches / 132 cm	- <b>52</b>
	60 inches / 152 cm	- <b>60</b>

### STANDARD EQUIPMENT

6-speed RF remote control with reverse function in black



Wireless Decora-style, 6-speed, wall control in white



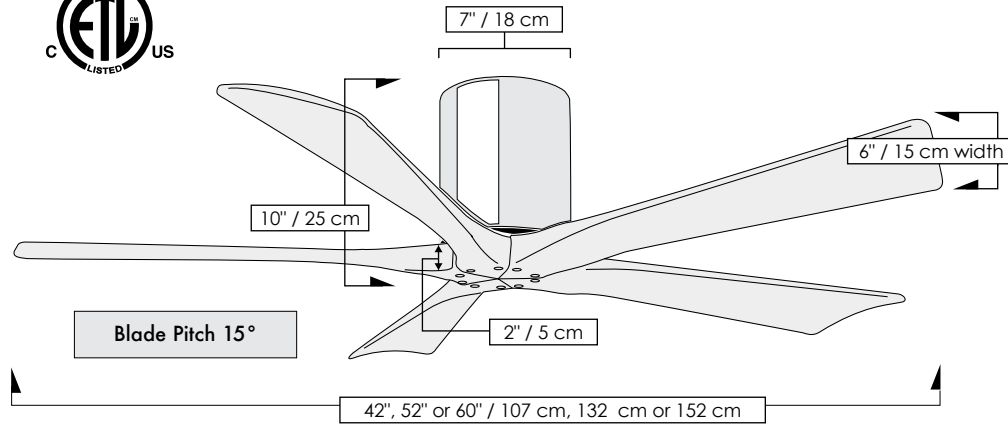
**WARNING:**  
Only compatible with included controllers.

### CEILING PITCH TABLE

0/12	0 degrees
1/12	4.76 degrees
2/12	9.46 degrees
3/12	14.04 degrees
4/12	18.43 degrees
5/12	22.62 degrees
6/12	26.57 degrees
7/12	30.26 degrees
8/12	33.69 degrees
9/12	36.87 degrees
10/12	39.81 degrees
11/12	42.51 degrees

### CEILING HEIGHT TABLE

Suitable for ceiling heights 7'10" or greater



### FAN SPECIFICATIONS

Fan Diameters	inches: 42, 52 or 60 centimeters: 107, 132 or 152
Overall Drop	10 inches / 25 cm
Fan Weight	12 lbs
Voltage	110 or 220
Motor Type	DC
Environment	Damp locations for all finishes Neither coastal, saltwater nor chlorine compatible
Ambience	Silent
Safety Certification	ETL / CETL
Warranty	Limited Lifetime

### NEW JAN 21, 2020 DOE MOTOR EFFICIENCY DATA

	42 inch / 107 cm	52 inch / 132 cm	60 inch / 152 cm
RPM (Low / High)	51 / 226	51 / 151	51 / 78
CFM (Low / High)	855 / 3989	1631 / 4970	2201 / 3543
Watts (High)	25.76	31.46	31.58
CFM/Watt (High)	154.84	157.98	112.12
Blade Pitch	15°	15°	15°

### Matthews Fan Company

1881 Industrial Drive  
Libertyville, IL 60048  
Tele: 847.680.9043  
Fax: 847.680.8140

www.matthewsfanco.com

© 2019 Matthews Fan Company. All rights reserved.

