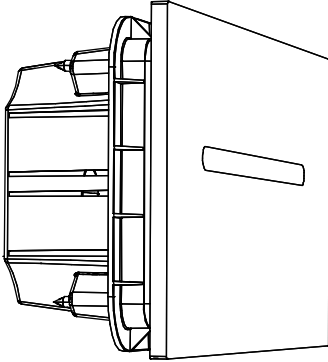


CFB.2150 | In-Wall Waterfall / Cascade Flow Tub Filler

SPECIFICATIONS:



- Stainless Steel Construction
- Includes Concealed In-Wall Valve
- Flow Rate: ~ 5 GPM @ 60 PSI
- Water Projection From Face plate - Approximately 4-5 Inches*
- *Distance the water falls away from the face plate.

FINISHES :

- Chrome - CFB.2150CP

STANDARDS:

- ASME A112.18.1 / CSA B125.1

Legislation Compliance



ZeroDrip Technology



Technical Diagram

