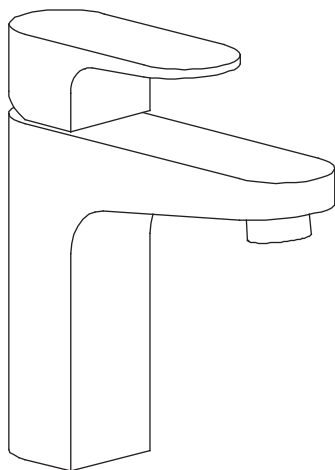


**180.1000 | Single Hole Faucet**



**SPECIFICATIONS:**

- Solid Brass construction
- Single Hole Installation
- 1.5 GPM Flow Rate @ 60 PSI (1.2 GPM For California)

**FAST SHIP FINISHES :**

- Chrome - 180.1000CP / Brushed Nickel - 180.1000BN

**STANDARDS:**

- ASME A112.18.1 / CSA B125.1, NSF-61



Drain Included

*LowFlow Capable*



*Legislation Compliance*



*Low Lead Compliant*



*ZeroDrip Technology*



**Technical Diagram**

