

BELT RACK Installation Instructions for the 355B

IMPORTANT:

Before you begin, make sure you familiarize yourself with all the parts and fully read the instructions.

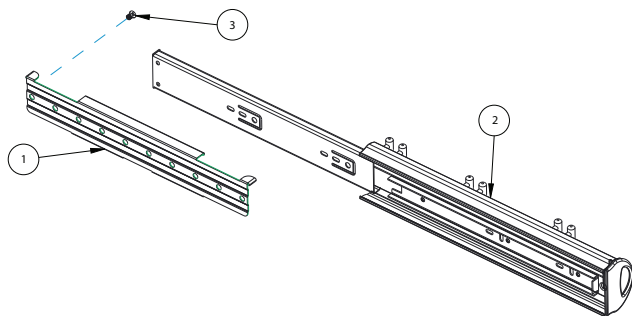
CUSTOMER SERVICE:

Toll free customer help line available weekdays between 7:00am and 6:00pm Central Time at 800-463-0660.

TOOLS NECESSARY:

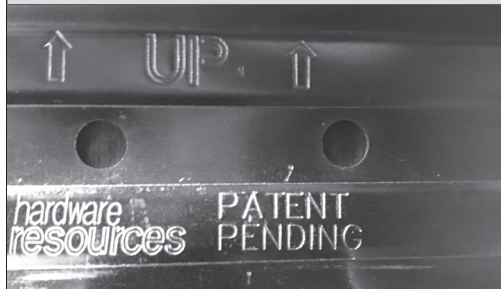
Screw gun or Phillips screwdriver. NOTE: If screw gun has a clutch, set to lowest setting so as not to over tighten and/or strip screws.

PARTS IDENTIFICATION:



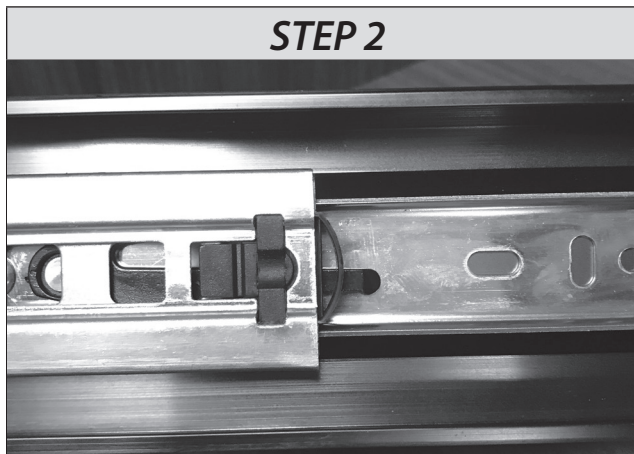
1	Mounting Bracket	qty 1
2	Belt Rack Organizer	qty 1
3	5 mm Euro Screw	qty 2

STEP 1



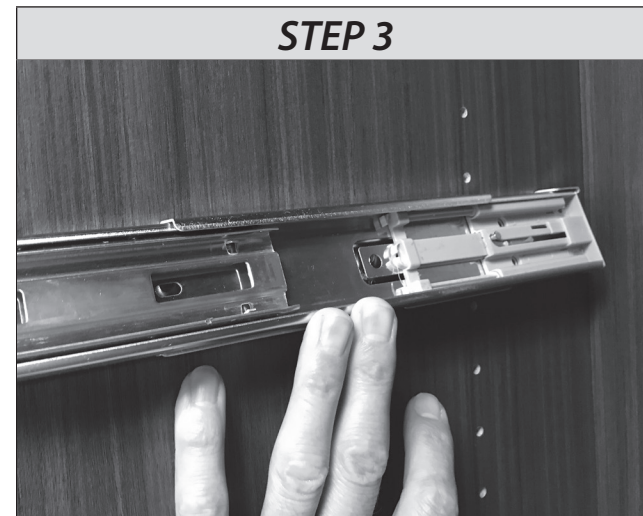
Determine mounting location and install the mounting bracket with the arrows pointing up with the 5 mm Euro screws provided.

STEP 2



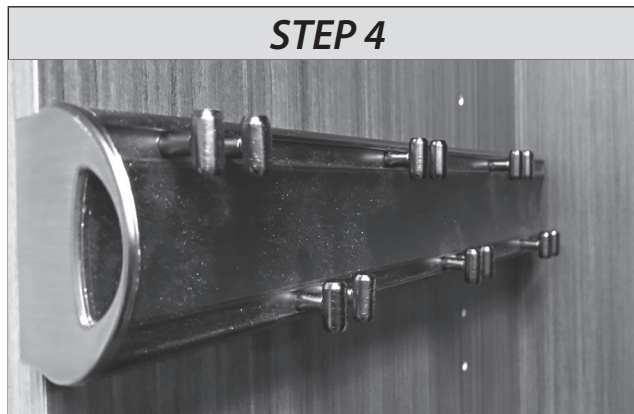
Separate slide by compressing the black release clip.

STEP 3



Install cabinet member of the slide into the mounting bracket. Angle the top in first and then snap into place.

STEP 4



Install the Belt Rack organizer back onto the slide. Operate the push-to-open slide by pressing on the front of the belt rack toward the back of the closet.

TIE RACK Installation Instructions for the 355T

IMPORTANT:

Before you begin, make sure you familiarize yourself with all the parts and fully read the instructions.

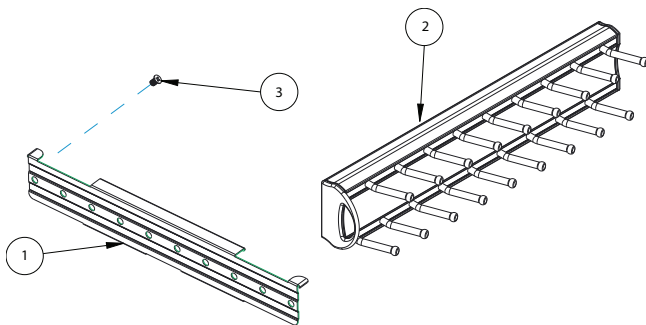
CUSTOMER SERVICE:

Toll free customer help line available weekdays between 7:00am and 6:00pm Central Time at 800-463-0660.

TOOLS NECESSARY:

Screw gun or Phillips screwdriver. NOTE: If screw gun has a clutch, set to lowest setting so as not to over tighten and/or strip screws.

PARTS IDENTIFICATION:



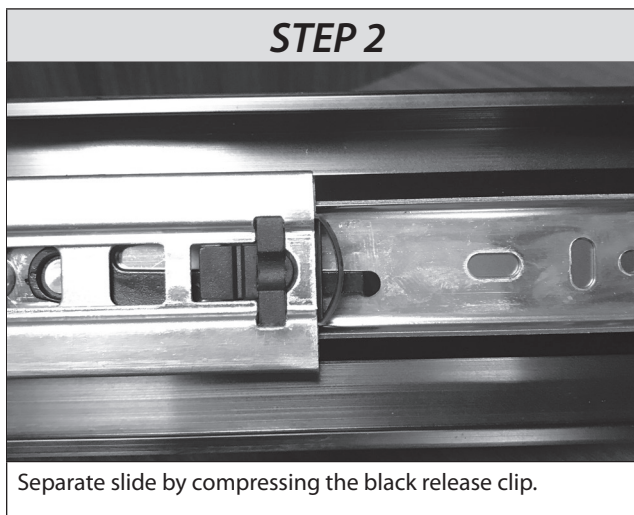
1	Mounting Bracket	qty 1
2	Tie Rack Organizer	qty 1
3	5 mm Euro Screw	qty 2

STEP 1



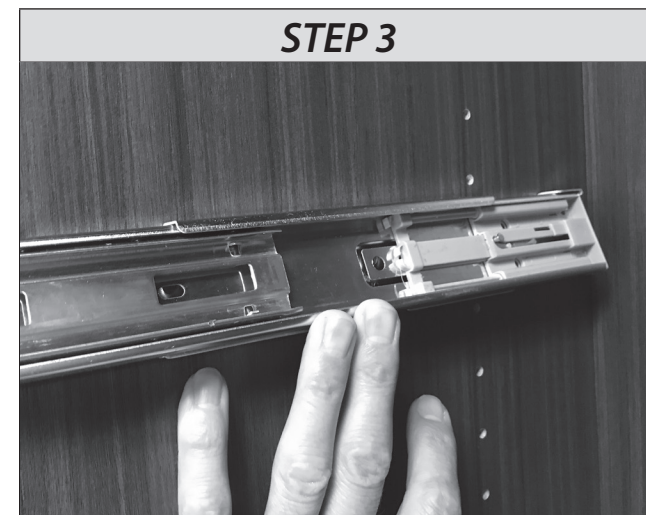
Determine mounting location and install the mounting bracket with the arrows pointing up with the 5 mm Euro screws provided.

STEP 2



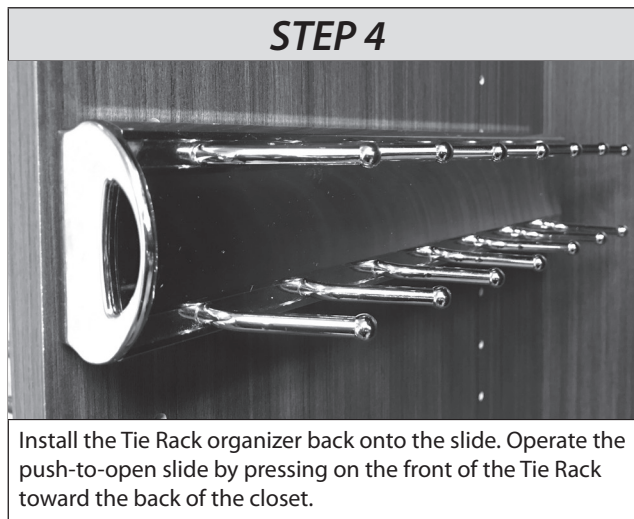
Separate slide by compressing the black release clip.

STEP 3



Install cabinet member of the slide into the mounting bracket. Angle the top in first and then snap into place.

STEP 4



Install the Tie Rack organizer back onto the slide. Operate the push-to-open slide by pressing on the front of the Tie Rack toward the back of the closet.