



# GERBER

VITREOUS CHINA  
TOILET  
**HE-20-017**

LAVATORIES

TOILETS

BIDETS / URINALS

CAST IRON

## LOGAN SQUARE™ 1.28 Elongated Toilet

10" Rough-in

### Features:

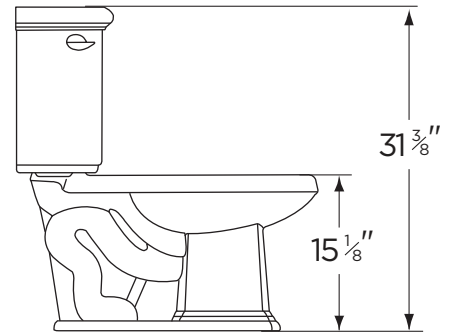
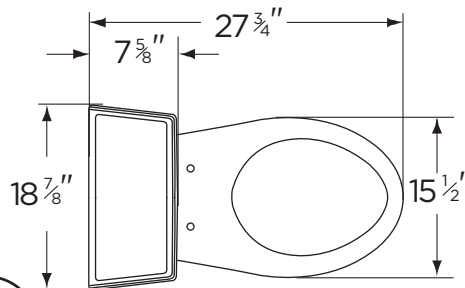
- 1.28 gpf/4.8 Lpf high efficiency toilet
- Elongated bowl
- 3" flush valve
- Dual-fed siphon jet
- Fluidmaster® fill valve
- 2" fully glazed trapway
- 10" rough-in tank
- White only
- Toilet seat not included



### Dimensions:

- Height .....31 3/8"
- Width .....18 7/8"
- Depth .....27 3/4"
- Rough-in .....10"
- Water Surface from Rim .....5 7/8"
- Trapway .....2"
- Water Surface .....10 1/8" x 7 1/8"
- Water Seal .....2 1/2"
- Shipping Weight .....83 lbs

**Specifications:** Bowl—#HE-21-532 Elongated Tank—#HE-28-535  
Seat not included



THIS FIXTURE QUALIFIES ACCORDING TO ASME TEST PROCEDURES AS A HIGH EFFICIENCY WATER CLOSET WITH AN AVERAGE CONSUMPTION OF 1.28 gpf (4.8 Lpf) OR LESS.

HIGH EFFICIENCY TOILET  
**HET**

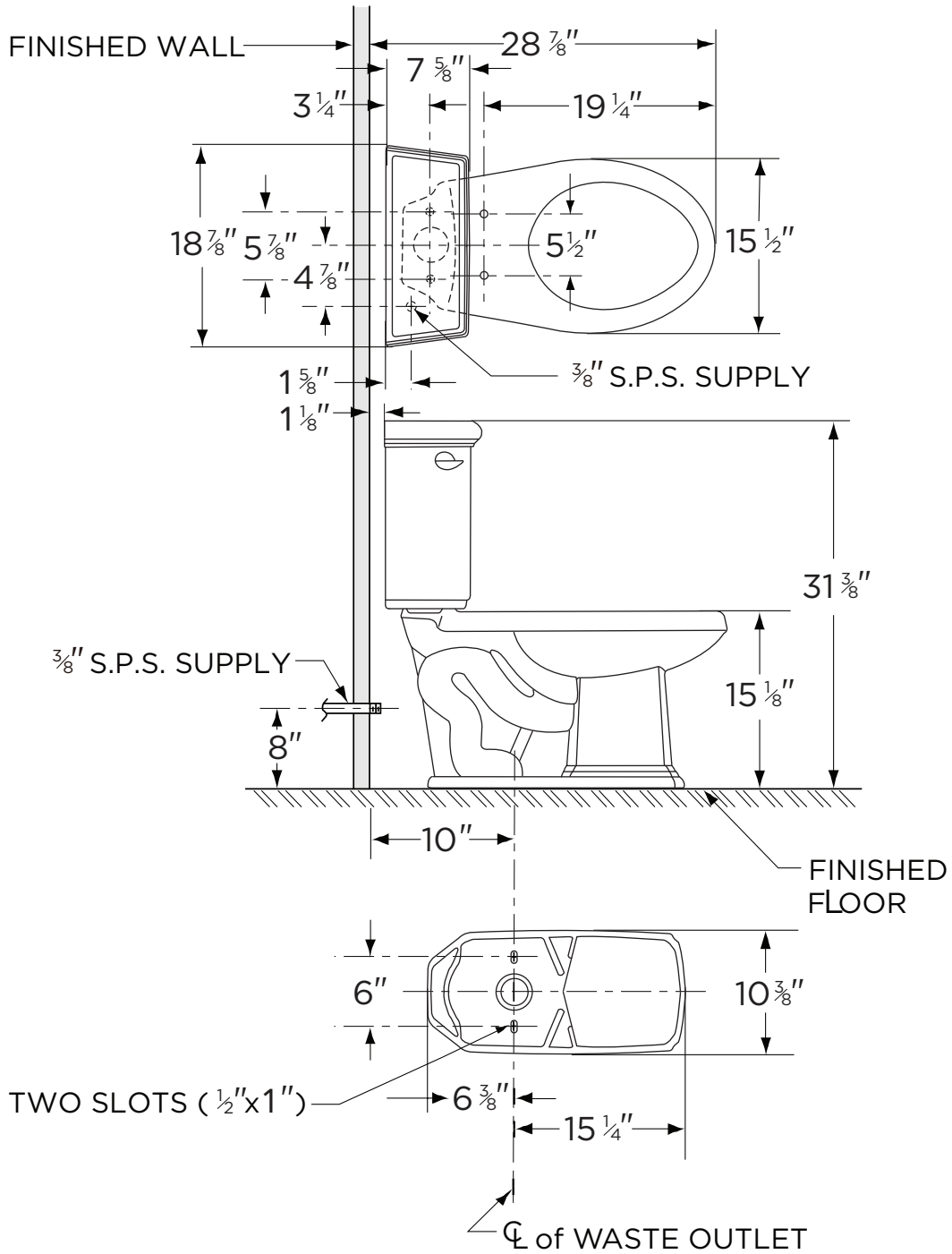
[www.gerberonline.com](http://www.gerberonline.com)

Job Name	
Date	
Model Specified	
Quantity	
Customer	
Contractor	
Architect/engineer	



# GERBER

1.28 gpf (4.8 Lpf) Logan Square™ 1.28 Toilet  
HE-20-017  
Elongated, 10" Rough-in  
(Bowl HE-21-532 with Tank HE-28-535)



NOTES:  
All dimensions are in inches.  
Illustrations may not be drawn to scale.

**IMPORTANT:**  
Dimensions of fixtures are nominal and may vary within the range of tolerances established by ASME Standard A 112.19.2.  
THIS FIXTURE QUALIFIES ACCORDING TO ASME TEST PROCEDURES AS A HIGH EFFICIENCY WATER CLOSET WITH AN AVERAGE CONSUMPTION OF 1.28 gpf (4.8 Lpf) OR LESS.