

# INSTALLATION INSTRUCTIONS



## Oak Hill™ Mirror

Models **D19005000.620**  
**D19005000.238**

AMERICAN STANDARD

Thank you for selecting DXV. To ensure this product is installed properly, please read these instructions carefully before you begin. (Certain installations may require professional help.) Also be sure your installation conforms to local codes.

**▲ CAUTION: PRODUCT IS FRAGILE. TO AVOID BREAKAGE AND POSSIBLE INJURY HANDLE WITH CARE!**  
NOTE: Pictures may not exactly define contour of mirror and components.

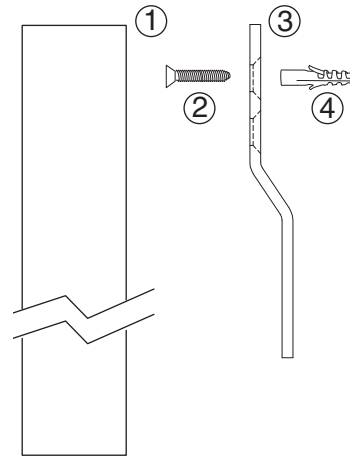
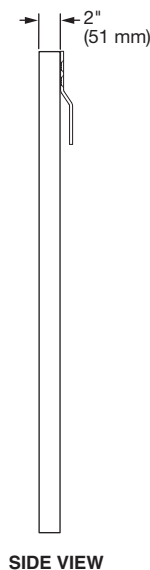
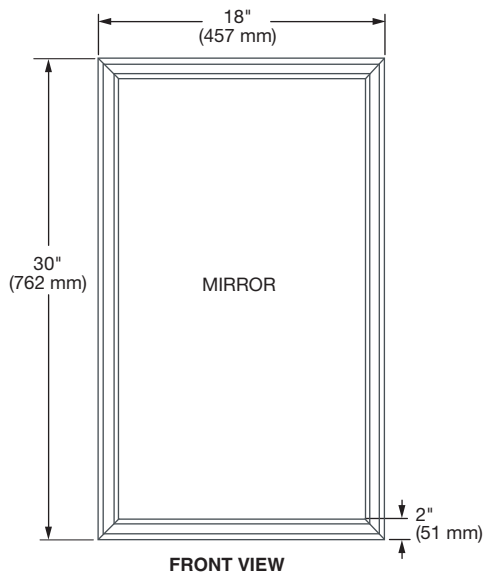
### RECOMMENDED TOOLS AND MATERIALS

Most of the procedures require the use of common tools and materials, which are available from hardware and plumbing supply stores. It is essential that the tools and materials be on hand before work is begun.



### ROUGHING-IN DIMENSIONS:

• For reference



ITEM	DESCRIPTION
1	Mirror
2	6 x 1-1/2 Screw
3	Wall Bracket
4	Wall Anchor

#### In the United States:

DXV  
One Centennial Avenue  
Piscataway, New Jersey 08855  
Attention: Director of Customer Care

For residents of the United States, warranty information may also be obtained by calling the following toll free number: (800) 227-2734  
www.DXV.com

#### In Canada:

DXV  
5900 Avebury Road  
Mississauga, Ontario  
L5R 3M3  
Canada

Toll Free: 1-800-387-0369  
Local: 905-306-1093  
Fax: 1-800-395-1498  
www.DXV.ca

#### In Mexico:

DXV  
Via Morelos 330  
Col. Santa Clara Coatitla  
Ecatepec, Estado de México 55540

Toll Free: 01-800-8391200  
www.DXV.mx

PART OF **LIXIL**

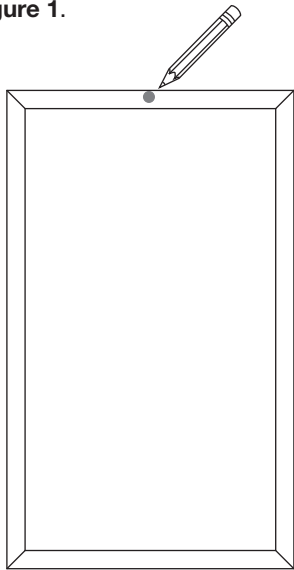
SAVE FOR FUTURE USE

1

**Note: The mirror must be hung on a wall. It is not designed to rest on the floor or on any type of furniture.**

- Identify where the mirror is to be hung on the wall.
- Using a pencil mark the center of the top of the mirror as shown in **Figure 1**.

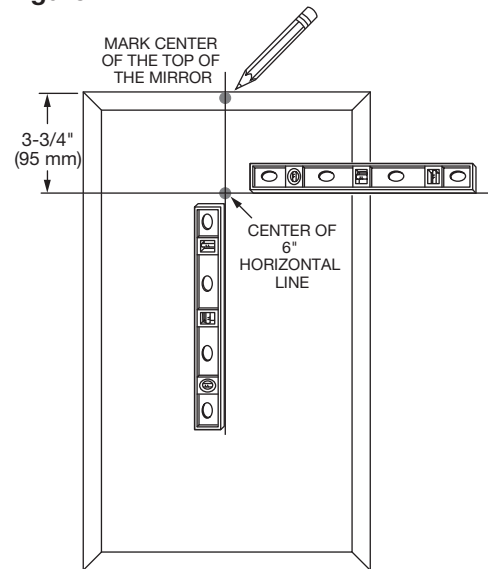
**Figure 1**



2

- Using a level, draw a 6" horizontal line 3-3/4" down from the point marked in Step 1 as shown in **Figure 2**.

**Figure 2**

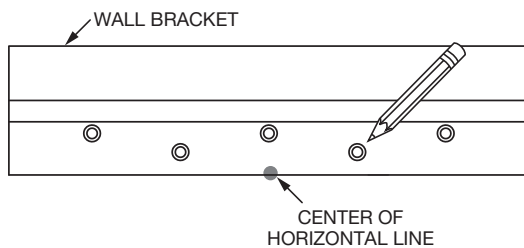


3

- Place the wall bracket on the horizontal line with the hole side down and flush with the wall. Be sure that the center hole is aligned with the center of the horizontal line as shown in **Figure 3**.
- Trace the hole locations on the wall as shown.
- Remove the bracket and drill 1/8" holes in the marked locations if going into wood. Drill a 1/4" if attaching to dry wall or plaster.

**Note: Wall anchors must be used if hanging the mirror on dry wall, plaster, or tile.**

**Figure 3**



5

- Align the bracket on the mirror with the bracket on the wall (as shown in **Figure 4**) and gently slide the mirror until the mirror bracket rests firmly on the wall bracket.

4

- Install the wall anchors if they are required.
- Attach the bracket to the wall using the screws provided.
- Be sure to confirm that the bracket is level prior to completely tightening the screws. Adjust as necessary.

**Figure 4**

