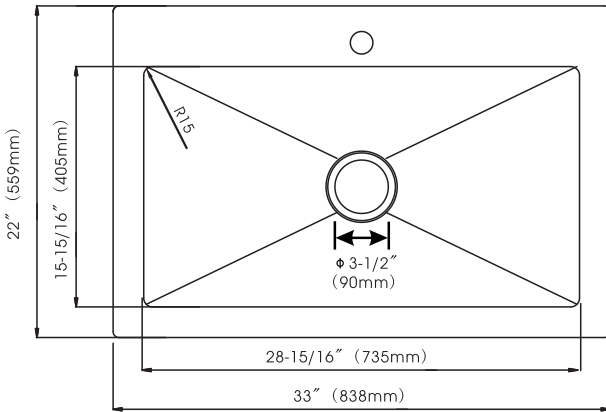
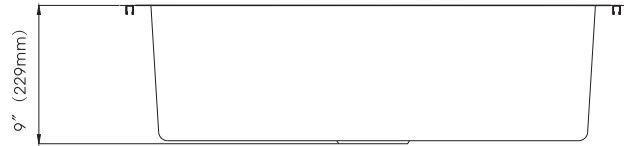


**Product Compliance:**  
 • ASME A112.19.3-2008 / CSA B45.4-08



Model	Depth	Gauge	Hole
482-7023	9"	18G	1
482-7026	9"	18G	2
482-7027	9"	18G	3
482-7028	9"	18G	4

## 33" x 22" x 9" Dual-Mount Single Bowl

### FEATURES

- \* Premium Grade T-304 Stainless Steel
- \* Corrosive Resistant Sink Grid Included
- \* R15 Radius Corner for Easy Cleaning
- \* 9" Depth • 18 Gauge
- \* Pre-Drilled Single Hole Other Punchings Available
- \* Lustrous Satin
- \* Highlighted Rim
- \* 3-1/2" Drain Opening
- \* Heavy Duty Sound Deadening Pads Plus Fully Coated Underneath
- \* Includes 10 U-Channel Clips and 10 Fasteners for Top-Mount or Under-Mount Installations
- \* Cutout Template (DXF File Available)
- \* Limited Lifetime Warranty

### Optional Accessories



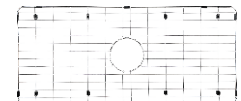
Basket Strainers



Deep Cup Basket Strainers



Soap Dispensers



Corrosion Resistant Sink Grid Included

Project / Job Name			
Architect / Engineer			
Contractor			
Model		Quantity	
Notes :			