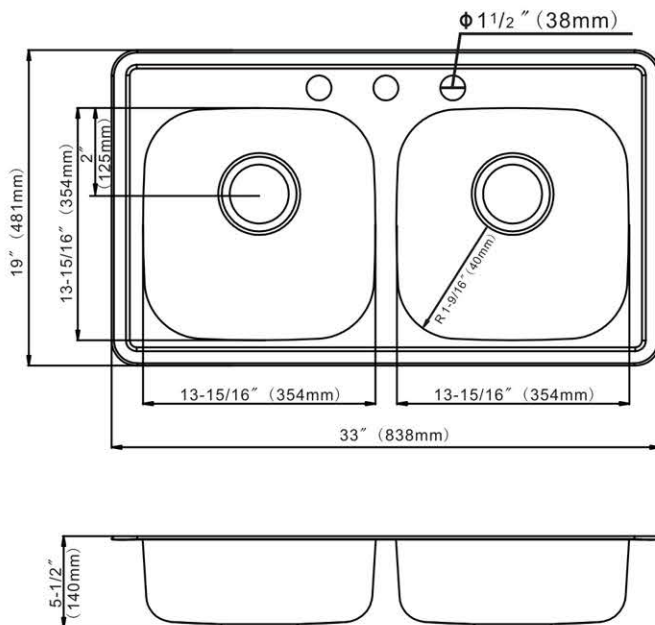




33" x 19" x 5.5" Top-Mount 50/50 Double Bowl



Model No. : 482-6508

FEATURES

- * Premium Grade T-304 Stainless Steel
- * 5-1/2" Depth • 18 Gauge
- * One Piece Construction Sink
- * Lustrous Satin
- * 3-1/2" Drain Opening
- * Fully Coated Underneath with Heavy Duty Sound Deadening Pads
- * Includes 10 U-Channel Clips and Installation Instructions
- * Cutout Template (DXF File Available)
- * Lifetime Limited Warranty

Product Compliance:
 • ASME A112.19.3-2008 / CSA B45.4-08

* THIS PRODUCT, AS CONSTRUCTED IS SUBJECT TO INTERPRETATION OF A.D.A. REQUIREMENTS. THE UNOBSTRUCTED KNEE SPACE REQUIRED TO SATISFY A.D.A. STANDARDS MAY NOT BE DESIRABLE.