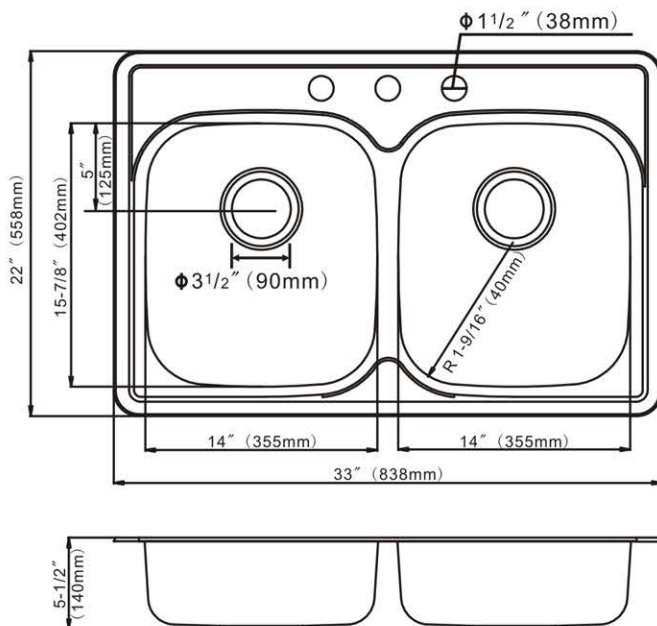




**33" x 22" x 5.5" Top-Mount 50/50 Double Bowl**



**Model No. : 482-6507**

**FEATURES**

- \* Premium Grade T-304 Stainless Steel
- \* 5-1/2" Depth • 18 Gauge
- \* One Piece Construction Sink
- \* Lustrous Satin
- \* 3-1/2" Drain Opening
- \* Fully Coated Underneath with Heavy Duty Sound Deadening Pads
- \* Includes 10 U-Channel Clips and Installation Instructions
- \* Cutout Template (DXF File Available)
- \* Lifetime Limited Warranty

**Product Compliance:**  
 • ASME A112.19.3-2008 / CSA B45.4-08

\* THIS PRODUCT, AS CONSTRUCTED IS SUBJECT TO INTERPRETATION OF A.D.A. REQUIREMENTS. THE UNOBSTRUCTED KNEE SPACE REQUIRED TO SATISFY A.D.A. STANDARDS MAY NOT BE DESIRABLE.