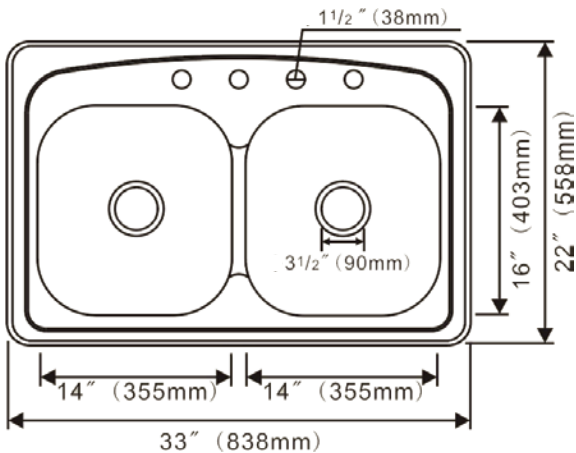


# Stainless Steel Kitchen Sink

Top-Mount Double Bowl



Model	Depth	Gauge	Hole
482-6170	8½"	20G	4

## 33" x 22" Top-Mount Double Bowl

### FEATURES

- \* Premium Grade 304 Stainless Steel
- \* 8½" Depth \* 20 Gauge
- \* Lustrous Satin
- \* 3½ Drain Opening
- \* Fully Coated Underneath with Heavy Duty Sound Deadening Pads
- \* 10 U-Channel Clips and Instructions
- \* Cutout Template on Box (DXF file Available)
- \* Limited Lifetime Warranty

Project / Job Name			
Architect / Engineer			
Contractor			
Model		Q'ty	
Notes :			

### Optional Accessories



Basket Strainers



Deep Cup Basket Strainers



Garbage Disposal Flange & Stopper



Soap Dispensers