

Casmir - Handheld Shower with Slide Bar Complete Set



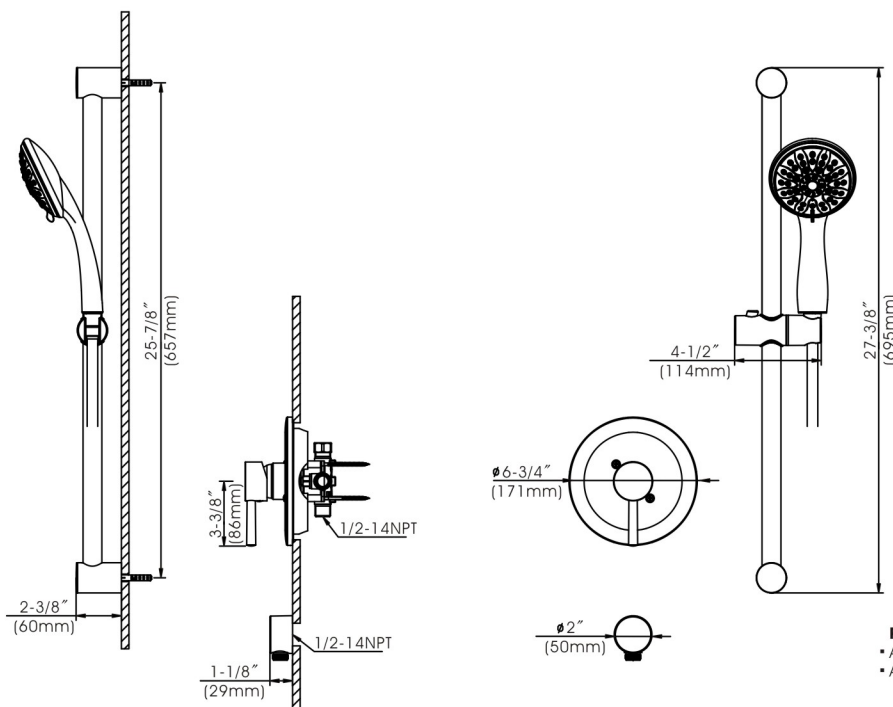
- * Pressure Balanced Valve with Ceramic Disk Cartridge
- * 3 Function Hand-Held Shower
- * 27" Stainless Steel Slide Bar
- * Zinc Handle and Escutcheon Plate
- * Brass Hose Connector with a 60" Hose
- * Solid Brass Waterway Construction with 1/2"-14 NPT Connection
- * Flow Rate: 2.5GPM @ 80PSI
- * 100% Pressure Tested

| | |
|----------------------|--|
| Project / Job Name | |
| Architect / Engineer | |
| Contractor | |
| Model | |
| Quantity | |

Model No. :

192-6818 (CH)

192-6819 (BN *Spotless PVD*)
 (Shown Model)



Product Compliance:

- ASME A112.18.1 / CSA B125.1
- ANSI A117.1 (ADA)