

# Majestic - Two Handle Bar Faucet



- \* 4" Centerset, 2 Hole Installation
- \* 7-3/4" High and 4-9/16" Long Stainless Steel Tube Spout, Zinc Handle, Stainless Steel Deck Plate
- \* Brass Waterway Construction with 1/2" -14 NPSM Connection
- \* 1/4 Turn Premium Grade Ceramic Cartridges (Type I)
- \* Sleek and Functional Two-Handle Design
- \* 1/2" IPS Connections
- \* Flow Rate: 1.8GPM
- \* 100% Pressure System Tested

|                      |  |
|----------------------|--|
| Project / Job Name   |  |
| Architect / Engineer |  |
| Contractor           |  |
| Model                |  |
| Quantity             |  |

## Model No. :



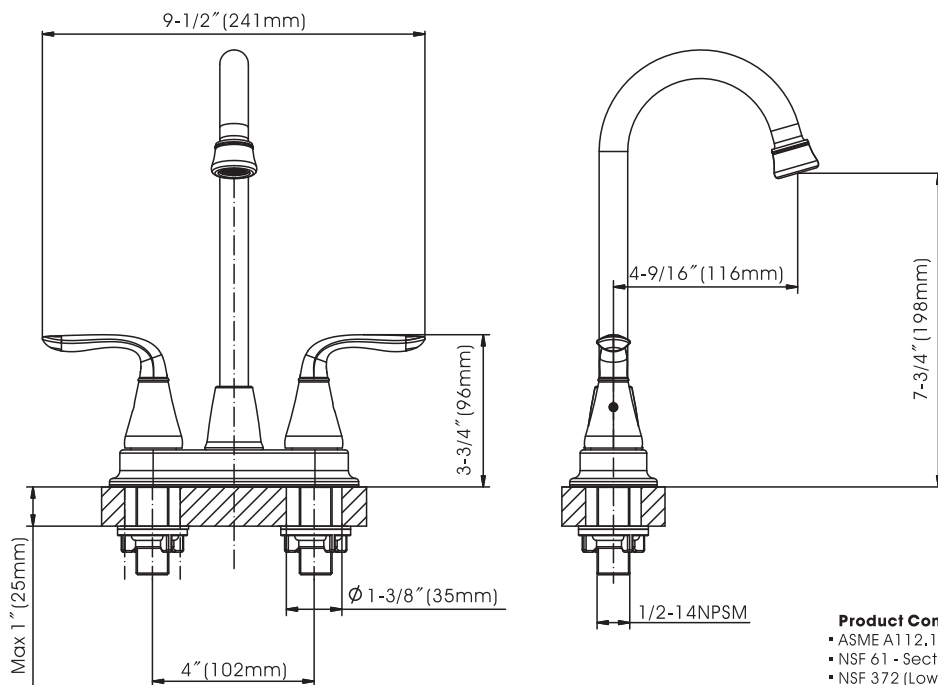
192-5892 (CH)  
 (Shown Model)



192-5893 (BN *Spotless* PVD)



192-5894 (ORB)



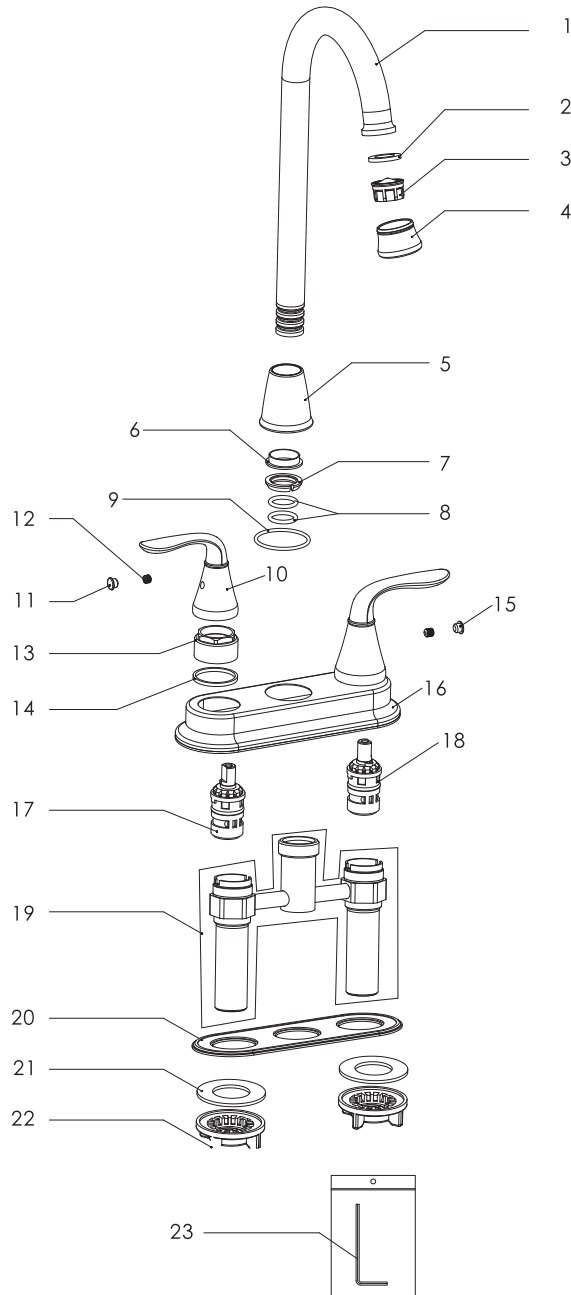
### Cartridge (Type I)



### Product Compliance:

- ASME A112.18.1 / CSA B125.1
- NSF 61 - Section 9
- NSF 372 (Low Lead Content)
- ANSI A117.1 (ADA)

# Majestic - Two Handle Bar Faucet



**Model No. :**

192-5892 (Polished Chrome)

192-5893 (Brushed Nickel Spotless PVD)

192-5894 (Oil-Rubbed Bronze)

| No. | Part Name             | Material        |
|-----|-----------------------|-----------------|
| 1   | Spout                 | Stainless Steel |
| 2   | Aerator Washer        | Rubber          |
| 3   | Aerator Core          | Plastic         |
| 4   | Aerator Collar        | Brass           |
| 5   | Spout Nut             | Zinc            |
| 6   | Protective Sleeve     | Plastic         |
| 7   | Wearing Ring          | Plastic         |
| 8   | O-Ring                | Rubber          |
| 9   | O-Ring                | Rubber          |
| 10  | Handle                | Zinc            |
| 11  | Index(Hot)            | Rubber          |
| 12  | Set Screw             | Stainless Steel |
| 13  | Cartridge Lock Nut    | Zinc            |
| 14  | Washer                | Plastic         |
| 15  | Index(Cold)           | Rubber          |
| 16  | Deck Plate            | Stainless Steel |
| 17  | Cartridge(Hot Water)  | Ceramic         |
| 18  | Cartridge(Cold Water) | Ceramic         |
| 19  | Brazed Underbody      | Brass           |
| 20  | Putty Plate           | Plastic         |
| 21  | Washer                | Rubber          |
| 22  | Plastic Lock Nut      | Plastic         |
| 23  | Allen Key             | Steel           |

Cartridge (Type I)



Technical Support: [warranty@cmiproduct.com](mailto:warranty@cmiproduct.com)  
 Hour of Operation: Mon - Fri 8:30 a.m - 5:00 p.m. EST