

## Under-mount Sinks Installation Instructions

Stainless Steel

**These instructions are for installing** Under-mount sinks that are installed below the countertop and sealed to the bottom of the counter.

The manufacturer recommends that undermount sinks should be installed by a professional experienced installer. Undermount sinks should only be fastened to a solid surface countertop (I.E. Corian , Granite , Silestone). This is not for a laminate countertop. The manufacturer is not responsible for sink or countertop damaged during installation.

**CAUTION: Risk of personal injury. Metal surfaces can be sharp and can cause severe cuts. Please use gloves and handle the sink with care.**

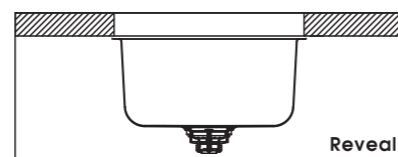
Remember, it is your responsibility to follow all local plumbing and building codes.

**\*BEFORE INSTALLING THE SINK, INSPECT IT FOR DAMAGE. DO NOT INSTALL A DAMAGED UNIT.**

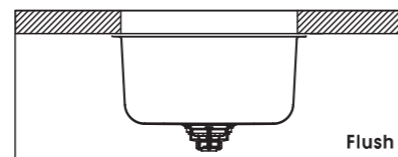
**The warranty will be voided if these installation instructions are not followed.**

**Undermount sinks can be installed with three different reveals - Reveal, Flush, Forward Deciding on your preferred Look must be done prior to installation. (See diagram)**

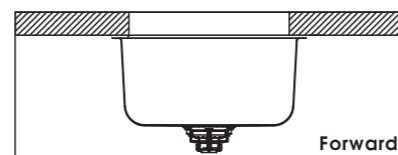
Reveal - The countertop edge sits approximately 1/4" back from the edge of the sink, exposing the sink rim.



Flush - The countertop meets the edge of the sink, fitting flush with the sink bowls.



Forward - The countertop extends over the edge of the sink on all sides by approximately 1/4". Use caution with this installation to be sure that accessories such as colanders or cutting boards will fit properly.



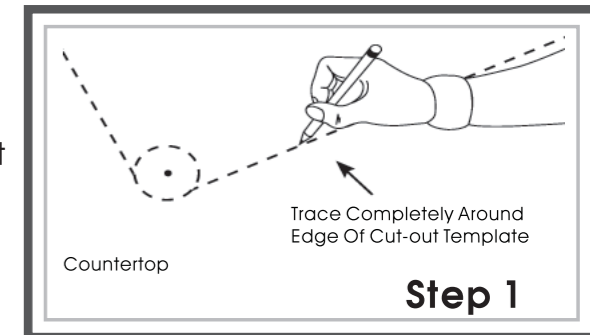
**If this is a new countertop installation, please refer to the countertop manufacturer's instructions.**

**If this is a replacement sink, see Step 2.**

### Step 1

Position template on countertop. Locate the template front to rear, so that sink will not interfere with the cabinet.

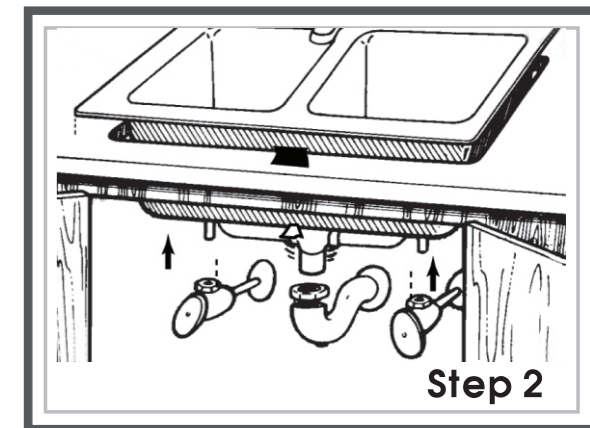
**NOTE :** Skip step 2 if this is a new installation.



### Step 2 (Out With The Old)

Here's how to remove the old sink:

- Shut off the water supply valves.
- Disconnect the water supply fittings.
- Disconnect the drain fittings.
- From the underside of the sink, with your flashlight and long screwdriver, loosen and remove the frame clamps or rim fasteners.
- Lift the entire sink out of the countertop.

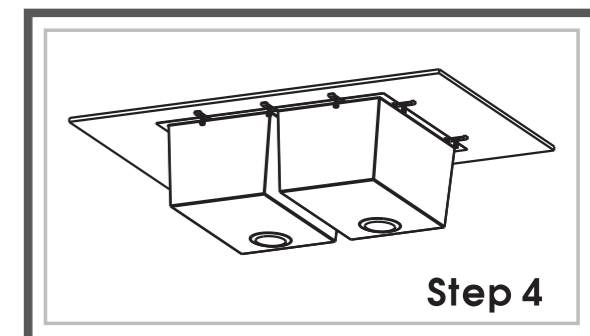


### Step 3

Locate and drill the mounting holes (following the countertop manufacturer's instructions) as shown below. Holes should allow even spacing of mounting brackets around the sink. Type of fasteners to be as recommended by countertop supplier.

### Step 4 (Install the Sink)

Clean the bottom of the countertop and the top flange. Then apply a bead of silicone adhesive sealant to the top edge of the bowl flange and position the bowl in the countertop. The easiest way to handle the sink is via the drain hole or holes, especially if it's a double bowl model.



## Step 5

Position and align sink under the countertop opening. Press silicone onto countertop.

### NOTE :

Do not fully tighten one clip at a time. Partially tighten a clip, then partially tighten the clip across from it. After each clip is partially tightened, repeat the process, fully tightening each clip. This ensures a secure installation and avoids damage to the sink.

## Step 6

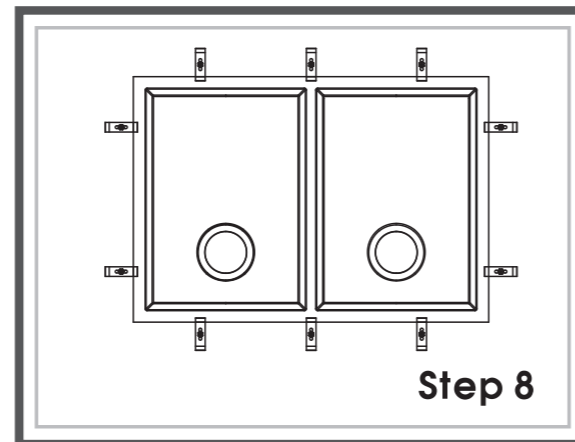
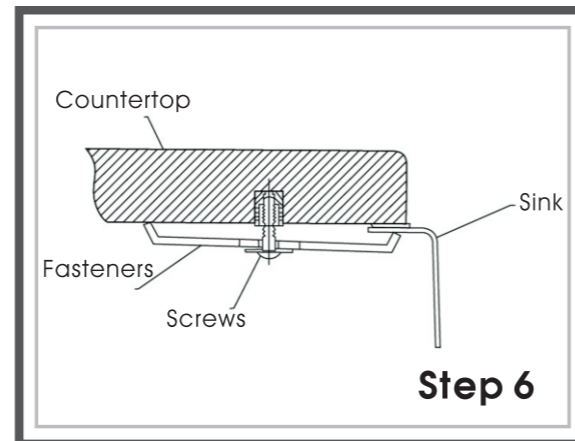
Tighten fasteners until mounting brackets are snug against sink.

## Step 7

Check alignment of sink to countertop opening.

## Step 8

Tighten down fasteners evenly. Be careful not to overtighten. Remove excess silicone.



View from under counter.

## Stainless Steel Sink Care:

### After Each Use:

- Remove all objects, pads, grids, cloths, etc., from sink.
- Clean with light soap solution, rinse, drain all water and towel dry.

### Regular Maintenance:

Side Walls and Bottom of Sink: Remove stains using a cleaning product that contains mild abrasives; always wipe in grain direction; rinse well and towel dry. For stubborn stains or scratches use a fine grit scrubbing pad following direction of sink grain finish. Pay careful attention to the directional change.

**Mineral Deposits:** Use a cleaning product that contains mild abrasives or a light solution of vinegar and water (1:20 ratio); rinse well and towel dry.

**CAUTION:** Stainless steel requires exposure to air; DO NOT leave items, objects, cloths, mats, water, pots and pans, cast iron, knives, etc., in sink when not washing. Some items void stainless steel from oxygen and can cause pitting or rusting.

### DO NOT :

- Use steel wool or other metal or coarse scouring pads.
- Stand on or in sink when cleaning windows, reaching for top shelf, painting, etc.
- Drop heavy objects in sink as this will cause denting.
- Leave water, bleach, other cleaners, or chemicals of any type in sink; always rinse sink after any use and dry with towel.
- Use concentrated bleach; always dilute with water and rinse thoroughly after use.
- Use any acids, drain cleaners, harsh chemicals, paint removers, metal cleaners, etc., in sink.
- Drop sharp objects in sink or use as a cutting surface.

## Compass Manufacturing International Limited Lifetime Sink Warranty

Compass Manufacturing International warrants to the original purchaser of a Compass Manufacturing International stainless steel sink that Compass Manufacturing International will, at its option, replace or repair, without charge, such product if it fails due to a manufacturing defect for a lifetime of normal residential use. Product replacement does not include transportation cost or labor installation cost. This warranty covers only stainless steel self-rimming drop-in sinks installed in a conventional counter-top surface and stainless steel under-mount sinks installed in a conventional solid surface counter-top and applies to residential installations only. Compass Manufacturing International reserves the right to examine product in question and its installation prior to replacement.

Some states do not allow the exclusion or limitation of incidental or consequential damages or limitations on how long an implied warranty lasts, so the above limitations or exclusions may not apply to you.

This Warranty gives you specific legal rights, and you may also have other rights which vary from state to state.  
**To Obtain Service Under Warranty**

1. Write to: **Compass Manufacturing International**  
 6702 ENTERPRISE DRIVE, LOUISVILLE, KY 40214  
 TOLL FREE: (800) 626-3525 FAX: (502) 361-6956  
[HTTP://www.cmiproduct.com](http://www.cmiproduct.com)
2. Include a letter containing the following information:
  - a. Date of purchase and installation
  - b. Proof of Purchase (Copy of original dated invoice).
  - c. Description of nature of defect.
  - d. Model number or description of model and/or component part if possible.

## Requesting Assistance or Service If you need assistance or service

Call toll-free at 1-800-626-3525. Our consultants are available to assist you. When calling: Please know the purchase date, and the complete model of your sink. This information will help us better respond to your request.

Our consultants provide assistance with:

- Features and specifications on our full line of sinks
- Installation information
- Use and maintenance procedures
- Accessory and repair parts sales
- Specialized customer assistance
- Referrals to local dealers, service companies, and repair parts distributors