



LIMITED LIFETIME WARRANTY

Compass Manufacturing International warrants to the original consumer purchaser that the faucet be free from defects in material and workmanship for as long as the original consumer purchaser owns the home in which the faucet was first installed.

In the event that Freendo faucets are used in a Commercial Application, this warranty is limited for a period of 5 years, unless otherwise specifically stated in the catalog and/or price book.

Compass Manufacturing International will replace, free of charge, during the applicable warranty period, any part or finish that proves defective in material and/or workmanship under normal installation, use and service. This warranty shall not apply to goods which have been subject to accidents, negligence or improper installation. Compass Manufacturing International will not be liable for other damages or losses, including, but not limited to: labor charges and/or damages incurred in installation, repair or replacement as well as any other kind of loss or damage. Proof of purchase from the original consumer purchaser must be made available for all warranty claims.

Compass Manufacturing International recommends using a professional plumber for all installation and repair. Compass Manufacturing International will, at its discretion, provide replacement parts for installation by consumer for any parts that prove defective under normal usage and service with new or equivalent parts. Replacement parts may be obtained by emailing the address below, calling the number below or by writing to:

Compass Manufacturing International

Freendo Product Service

6702 Enterprise Drive

Louisville, KY 40214

800.626.3525

warranty@cmiproduct.com

Revised 4/28/16

warranty@cmiproduct.com

© Compass Manufacturing International

800.626.3525



Model No. : 201-7693 Polished Chrome
201-7694 Brushed Nickel **Spotless PVD™**
192-5880 Oil Rubbed Bronze



Single Handle Lavatory Faucet With Pop-up
Fits 3 Hole Sink, 4" Center-set



Helpful Information

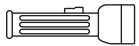
Helpful Tools

Tools:

Gather the necessary tools as shown below to complete the installation of this faucet. Some may not be needed depending on the model of faucet you are installing. Check with your local hardware store on the requirements of your installation situation.



Plumbers Putty



Flashlight



Basin Wrench



Safety Glasses



Screwdriver



Pliers



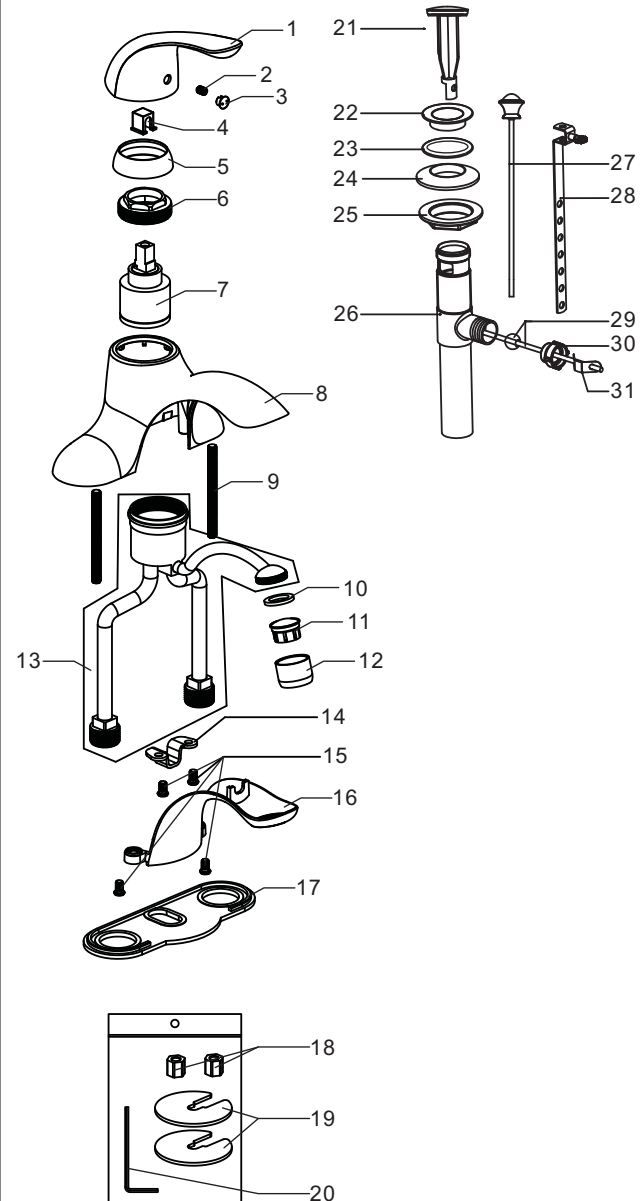
Channel Locks



Adjustable Wrench

5

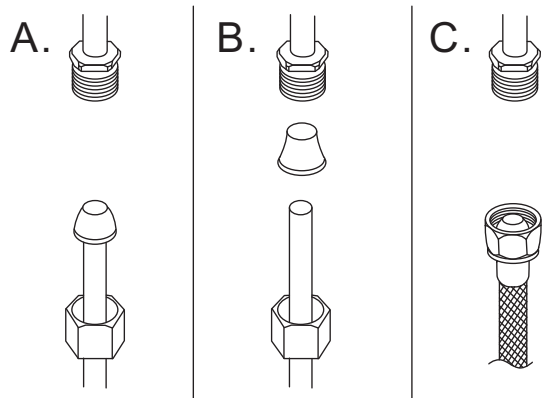
Parts Diagram / List



31	Spring Clip
30	Rod Guide Nut
29	Horizontal Rod
28	Extend Rod
27	Lift Rod
26	Drain Body
25	Locknut
24	Bottom Rubber Washer
23	Top Rubber Washer
22	Flange
21	Drain Stopper
20	Allen Key
19	Clamp
18	Locknut
17	Putty Plate
16	Under Cover
15	Screw
14	Cartridge Retainer
13	Waterway
12	Aerator Collar
11	Aerator Core
10	Washer
9	Bolt
8	Upper Cover
7	Cartridge
6	Cartridge Locknut
5	Trim Cap
4	Cartridge Adapter
3	Index
2	Set Screw
1	Handle
No.	Part Name

4

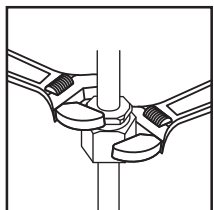
Configuration



Warning:
The supply valves and supply lines are not included.

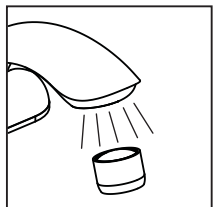
Connect to water supply lines with either:

- (A) 3/8" O.D. Copper tubing (ball nose risers with the coupling nuts or;
- (B) 3/8" Copper tubing (no ball) with supplied tube head interior connector or;
- (C) IPS faucet connectors (1/2")



Important:

Tighten connection with two wrench to prevent damage to tube body. Be careful not to bend the stem as this will void the product warranty.



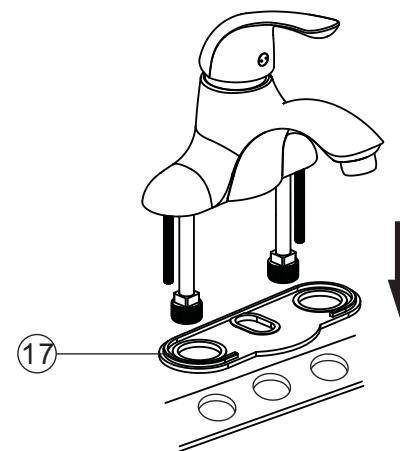
Important:

Remove the aerator and let both hot and cold water run for one minute. To clear any line trash. This will help clean any debris that might clog the system. Re-assemble aerator.

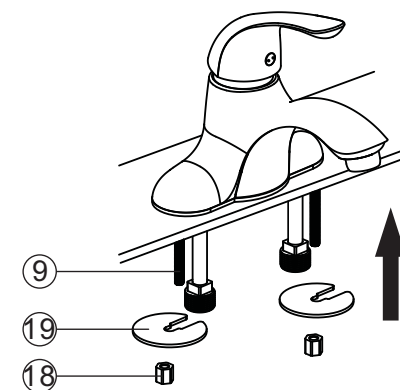
Test system for leaks .

1

Preparation / Mounting



1. Put faucet body, putty plate ⑰ in order on the counter.

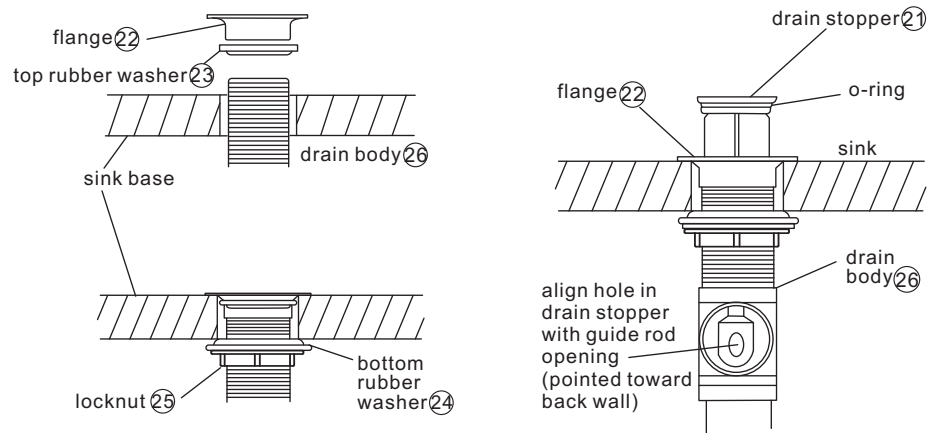


2. Assemble clamp ⑲ and locknut ⑱ to the bolt ⑨ and tighten the locknut with appropriate tool.

2

Pop-up Installation

Instruction for product with drain option only



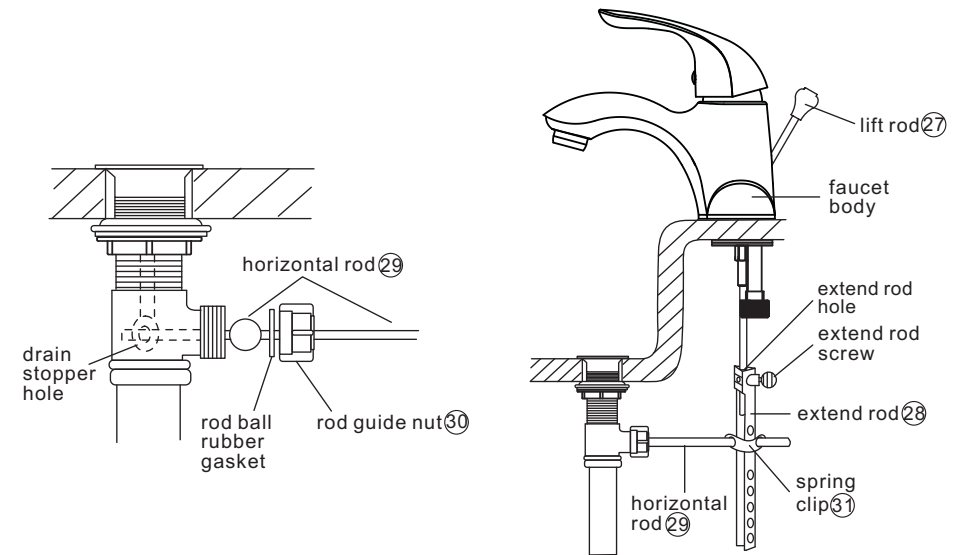
- A. Remove pop-up drain stopper 21 and flange 22 with top rubber washer 23 for pop-up assembly.
- B. Insert drain body from underneath of sink drain hole. Replace flange 22 and top rubber washer 23 back to drain body 26. Tighten flange as far as possible.
- C. Slide bottom rubber washer 24 on drain body up against bottom of sink. Tighten locknut 25 firmly against base for tight seal.

- A. Replace pop-up drain stopper 21 to drain body 26 with o-ring in place, and align stopper hole with guide rod opening.

3

Pop-up Installation

Instruction for product with drain option only



- A. Remove rod guide nut 30 and rod ball rubber gasket .
- B. Insert horizontal rod 29 into drain body 26 and through hole in drain stopper 21.
- C. Replace rod guide nut 30 with rod ball rubber gasket and tighten it.

- A. Insert lift rod 27 through hole on faucet body. Connect horizontal rod 29 to extend rod 28 using spring clip 31 to hold and adjust.
- B. Attach extend rod 28 with lift rod 27 by inserting lift rod through extend rod hole . Now adjust lift rod 27 to correct height and hand tighten extend rod screw .