



LIMITED LIFETIME WARRANTY

Compass Manufacturing International warrants to the original consumer purchaser that the faucet be free from defects in material and workmanship for as long as the original consumer purchaser owns the home in which the faucet was first installed.

In the event that Freendo faucets are used in a Commercial Application, this warranty is limited for a period of 5 years, unless otherwise specifically stated in the catalog and/or price book.

Compass Manufacturing International will replace, free of charge, during the applicable warranty period, any part or finish that proves defective in material and/or workmanship under normal installation, use and service. This warranty shall not apply to goods which have been subject to accidents, negligence or improper installation. Compass Manufacturing International will not be liable for other damages or losses, including, but not limited to: labor charges and/or damages incurred in installation, repair or replacement as well as any other kind of loss or damage. Proof of purchase from the original consumer purchaser must be made available for all warranty claims.

Compass Manufacturing International recommends using a professional plumber for all installation and repair. Compass Manufacturing International will, at its discretion, provide replacement parts for installation by consumer for any parts that prove defective under normal usage and service with new or equivalent parts. Replacement parts may be obtained by emailing the address below, calling the number below or by writing to:

Compass Manufacturing International

Freendo Product Service

6702 Enterprise Drive

Louisville, KY 40214

800.626.3525

warranty@cmiproduct.com

Revised 10/13/16

warranty@cmiproduct.com

© Compass Manufacturing International

800.626.3525



Model No. : 191-6572 Polished Chrome
191-6573 Brushed Nickel *Spotless PVD*



Single Handle Kitchen Faucet
3 Hole Installation, 8" Center-Set



Helpful Information

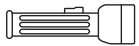
Helpful Tools

Tools:

Gather the necessary tools as shown below to complete the installation of this faucet. Some may not be needed depending on the model of faucet you are installing. Check with your local hardware store on the requirements of your installation situation.



Plumber's Putty



Flashlight



Basin Wrench



Safety Glasses



Screwdriver



Pliers



Channel Locks



Adjustable Wrench

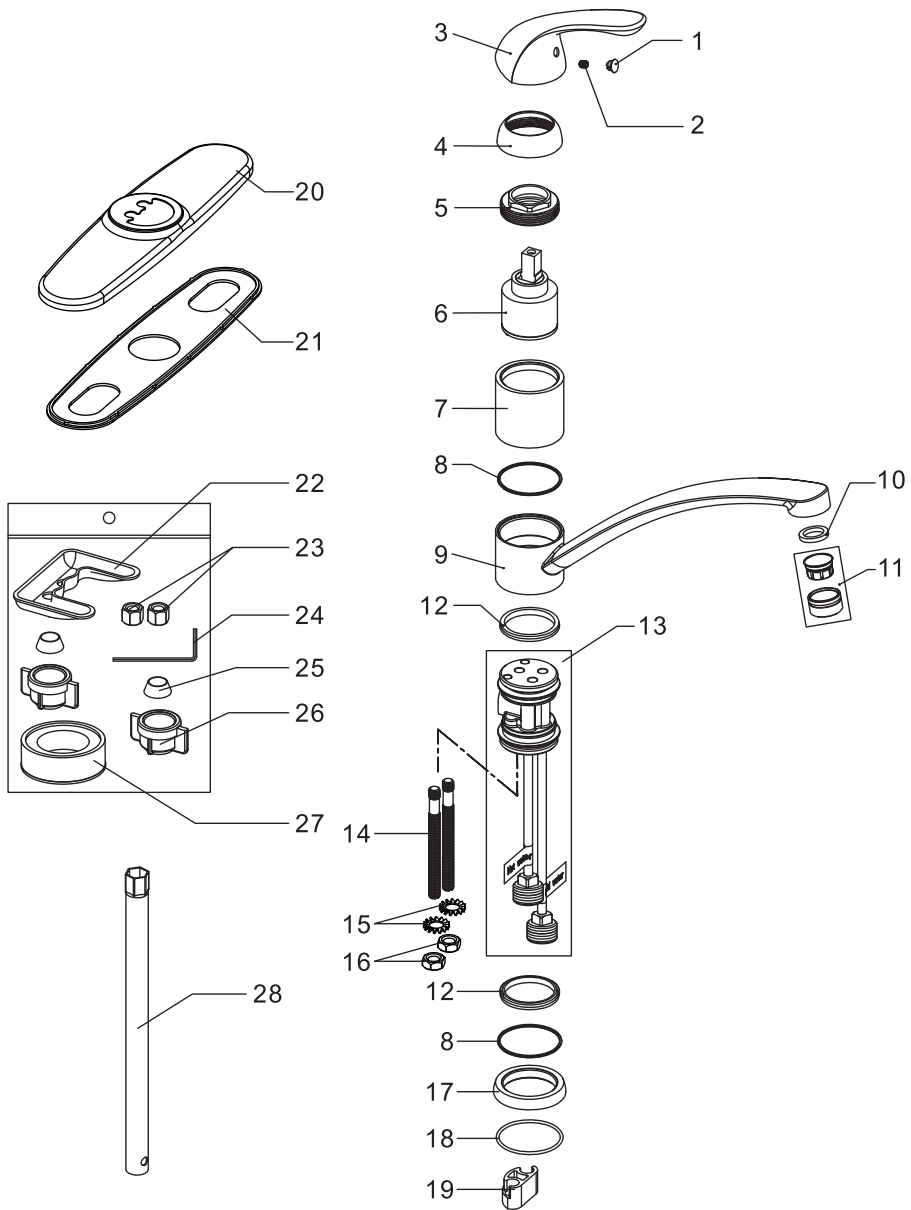
5

Parts List

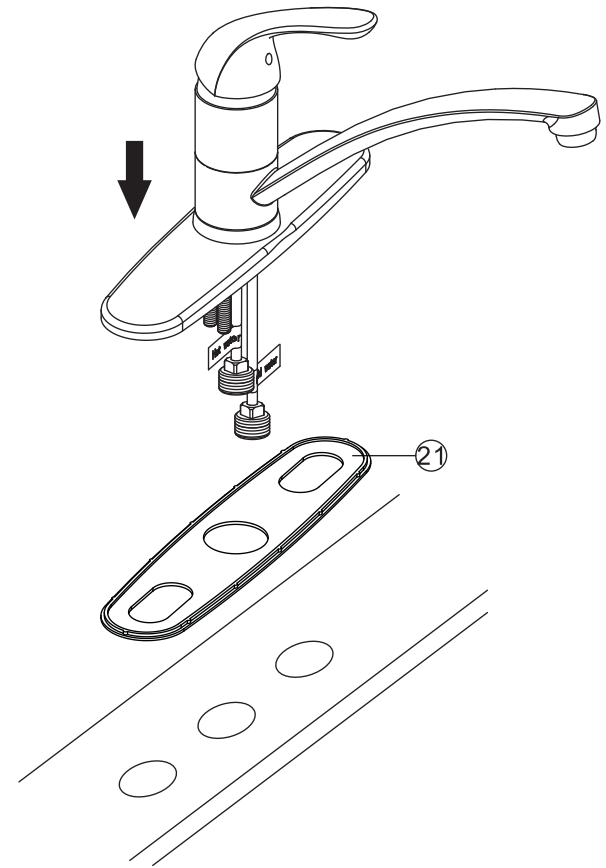
28	Socket Wrench
27	Teflon Tape
26	Plastic Locknut
25	Sealing Ring
24	Allen Key
23	Locknut
22	Clamp
21	Putty Plate
20	Deck Plate
19	Plastic Washer
18	O-ring
17	Hub Base
16	Locknut
15	Stainless Steel Washer
14	Bolt
13	Waterway
12	Sealing Ring
11	Aerator
10	Aerator O-ring
9	Spout
8	Wearing Ring
7	Cartridge Sleeve
6	Cartridge
5	Cartridge Locknut
4	Trim Cap
3	Handle
2	Set Screw
1	Index
No.	Part Name

4

Parts Diagram

**1**

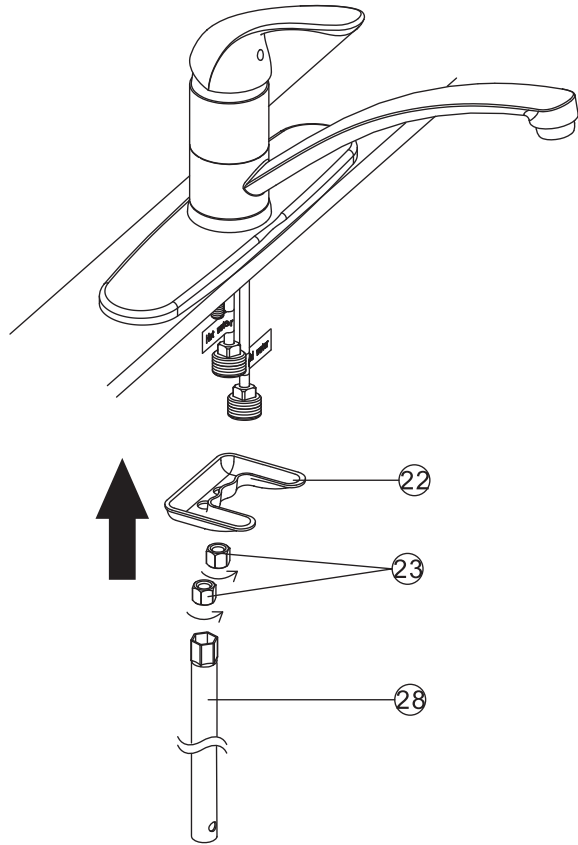
Faucet Installation



1. Attach putty plate (21) to the bottom of the faucet and position the faucet in the countertop as shown.

2

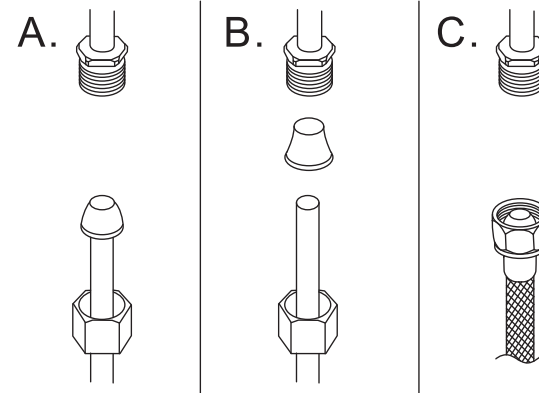
Faucet Installation



2. Fix the faucet with clamp 22 and locknut 23, tighten the locknuts with socket wrench 28. DON'T OVER TIGHTEN.

3

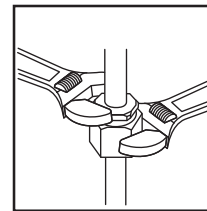
Configuration



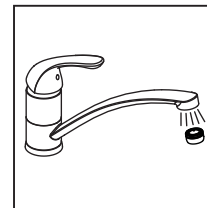
Warning:
The supply valves and supply lines are not included.

Connect to water supply lines with either:

- (A) 3/8" O.D. Copper tubing (ball nose risers with the coupling nuts or;
- (B) 3/8" Copper tubing (no ball) with supplied tube head interior connector or;
- (C) IPS faucet connectors (1/2")

**Important:**

Tighten connection with two wrench to prevent damage to tube body. Be careful not to bend the stem as this will void the product warranty.

**Important:**

Remove the aerator and let both hot and cold water run for one minute. To clear any line trash. This will help clean any debris that might clog the system. Re-assemble aerator.

Test system for leaks .