

IMOGENE ACRYLIC SLIPPER TUB

Cat. No.
ATS67



L: 67"
W: 29-1/2"
H: 24" (from floor) short end
30" (from floor) tall end
18" (from bottom of tub) short end
24" (from bottom of tub) tall end

Water Depth: 11-1/2" to OF

The following is recommended for ATS67 slipper tubs:

- Faucets: part #4602, 7393 or 7410
- Use with Freestanding Bath Supplies: part #4502-PL
- Leg tub drain: part #5599

Gallon Capacity : 50
Shipping Weight: 150 lbs.
Empty Weight: 100 lbs.
Filled Weight: 518 lbs.

Features:

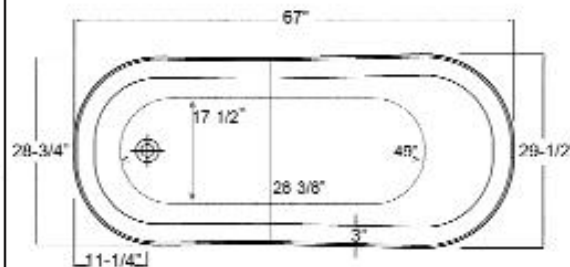
- ▶ Outside is textured fiberglass reinforced polyester coated with two-part epoxy
- ▶ Aluminum ball and claw feet
- ▶ No faucet holes
- ▶ Pre-drilled overflow hole
- ▶ Feet are attached and leveled before shipment
- ▶ Tub is thoroughly inspected before shipment

Foot Finishes:

- BL** Black
- BQ** Bisque
- BP** Polished Brass
- CP** Polished Chrome
- BN** Brushed Nickel
- ORB** Oil Rubbed Bronze
- PN** Polished Nickel
- WH** White



Custom Colors Available (inside of tub is always white enamel):
Painted bathtubs are considered "special order" and are not returnable
\$160 Bisque or Black \$250 Designer Color



Dimensions of fixture are nominal and specifications subject to change without notice.

TUB WALL MOUNT FILLER WITH HANDSHOWER

Cat. No.
4602



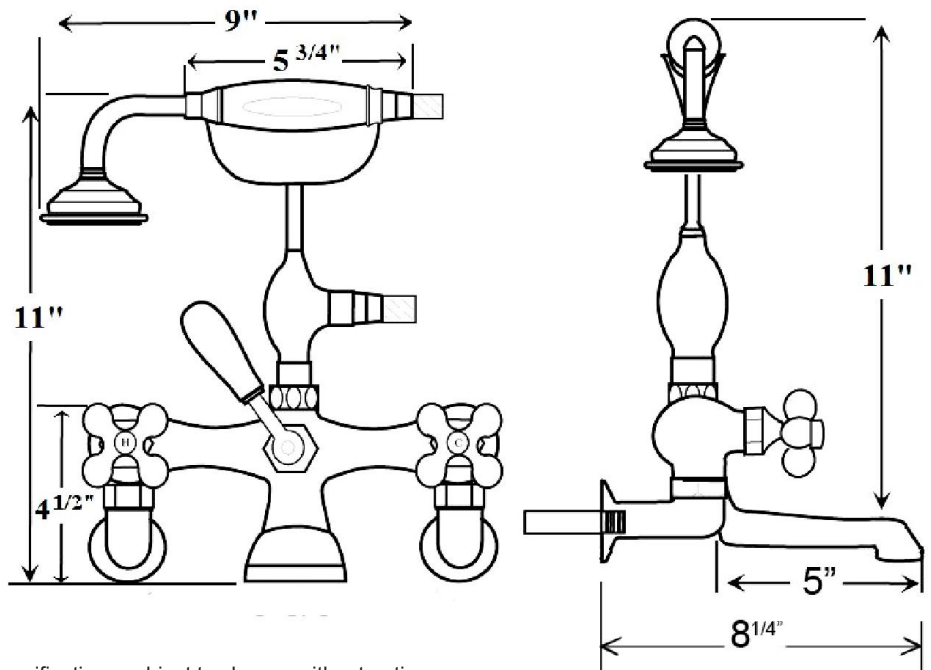
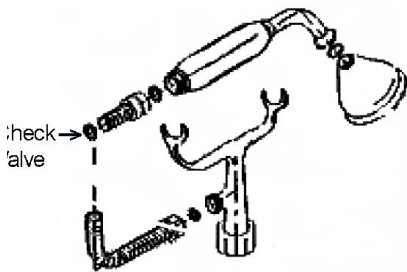
Adjustable Swivel Mounts

Features:

- ▶ Brass construction
- ▶ Elephant spout length is 5"
- ▶ Spout flow rate is 3.70 GPM
- ▶ Available with porcelain lever (**4602-PL**) or metal cross handles (**4602-MC**)
- ▶ Telephone handshower with cradle and hose
- ▶ Handshower flow rate 2.5 GPM
- ▶ Handshower includes backflow preventer
- ▶ Swivel mounts adjust centers from 3" to 12"
- ▶ Faucet centers are 7" without swivel mounts
- ▶ For tub wall mount installation
- ▶ ¼ turn ceramic disc cartridges
- ▶ To be used with double offset bath supplies, **Part #5576**
- ▶ This faucet can also be used with rigid freestanding supplies, **Part #4502** with adjustable swivel mounts removed

Finishes:

BP Polished Brass	SN Brushed Nickel
CP Polished Chrome	PN Polished Nickel
ORB Oil Rubbed Bronze	



Dimensions are nominal and may vary. Dimensions and specifications subject to change without notice.

FREESTANDING BATH SUPPLIES

Cat. No.
4502-PL



Features:

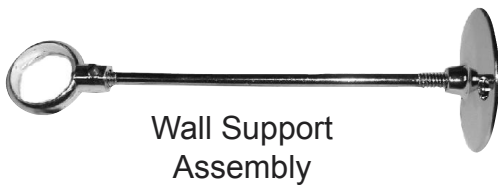
- ▶ 5" Shaft included
- ▶ Stops included
- ▶ 1/2" Pipe thread inlet
- ▶ 3/4" Flare outlet
- ▶ Wall support assemblies included
- ▶ Porcelain lever handles
- ▶ 0.800" Outer diameter
- ▶ 0.595" Inner diameter
- ▶ 0.090" Thickness of wall
- ▶ Available in 5 finishes

Finishes:

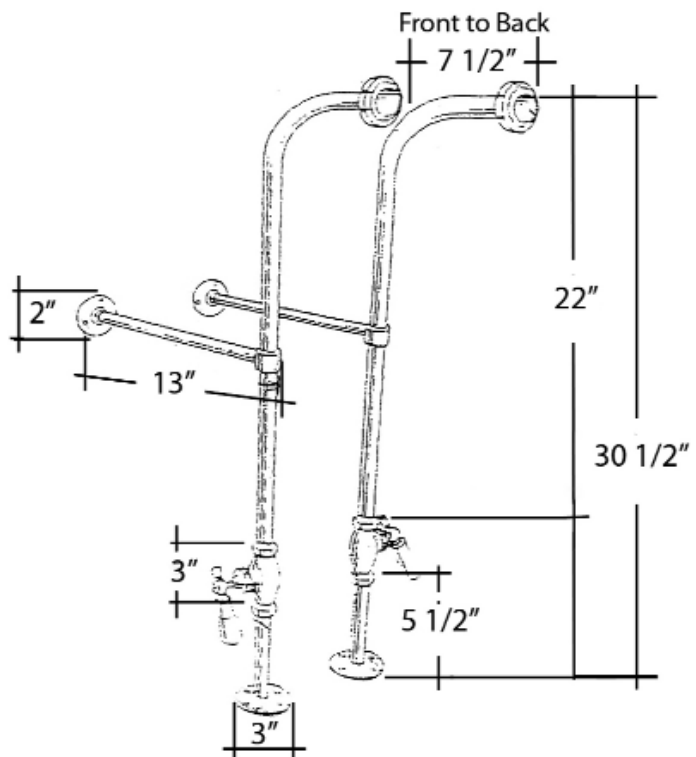
CP	Polished Chrome	PN	Polished Nickel
BP	Polished Brass	ORB	Oil Rubbed Bronze
SN	Brushed Nickel		

H: 30" (30 1/2" with nut)

OD: 1/2"



Wall Support
Assembly



Use on concrete floors requires special installation. We recommend using a plumbing professional.

Dimensions are nominal and may vary. Dimensions and specifications subject to change without notice.

LEG TUB DRAIN

Cat. No.
5599



Escutcheon Height: 1-1/4"

Features:

- ▶ Twist-and-lift stopper
- ▶ Includes deep escutcheon
- ▶ Height adjustable 15"-18"
- ▶ Depth adjustable 12"-14"
- ▶ Includes deep escutcheon
- ▶ Available in 5 Finishes

Finishes:

- CP Polished Chrome
- BP Polished Brass
- SN Brushed Nickel
- PN Polished Nickel
- ORB Oil Rubbed Bronze

#5599 Leg Tub Drain



Dimensions and specifications subject to change without notice.