

amerec AI BOILER SPECIFICATION GUIDE



See complete instructions for warnings and installation procedures

Model	UL-Model #	Watts	Volts	Phase	Amps	Max. Room Size cu ft (cu M)	Steam Output lb/hr (kg/hr)
AI-12	12-208	12000	208	1	59	550 (14,2)	36 (16,3)
	12-240		240	1	51		
	12-208		208	3	34		
	12-240		240	3	30		
	12-415		415	3	18		
	12-480		480	3	15		
AI-18	18-208	18000	208	1	88	900 (25,5)	54 (24,5)
	18-240		240	1	76		
	18-208		208	3	51		
	18-240		240	3	44		
	18-415		415	3	27		
	18-480		480	3	22		
AI-24	24-208	24000	208	1	116	1200 (34,0)	73 (33,1)
	24-240		240	1	101		
	24-208		208	3	68		
	24-240		240	3	59		
	24-415		415	3	36		
	24-480		480	3	29		
AI-30	30-208	30000	208	3	85	1500 (42,5)	91 (41,3)
	30-240		240	3	73		
	30-415		415	3	44		
	30-480		480	3	36		
AI-36	36-208	36000	208	3	101	1800 (50,0)	109 (49,4)
	36-240		240	3	88		
	36-415		415	3	53		
	36-480		480	3	43		
AI-42	42-208	42000	208	3	118	2100 (59,5)	127 (57,6)
	42-240		240	3	102		
	42-415		415	3	62		
	42-480		480	3	51		
AI-48	48-240	48000	240	3	117	2400 (68,0)	145 (65,8)
	48-415		415	3	70		
	48-480		480	3	58		

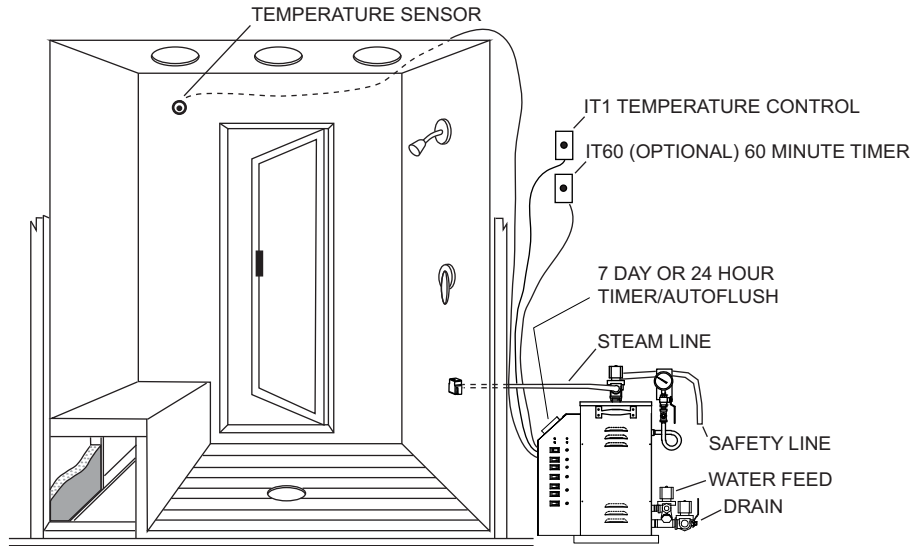
Notes:

- All models: no internal heating circuit fuses are needed
- All models use 120VAC 50/60Hz control circuits except 415V models use 240V 50/60Hz control circuits.
 - 208V and 240V models supply their 120V control circuit voltage internally. A 14AWG Neutral is required.
 - 480V models require a separate 15A 120V+N service for the control circuit.
 - 415V~N models supply their 240V control circuit voltage and neutral internally.
- Use only copper wire, rated 75°C or better.
- Install all wiring per local codes.

AI Series Boiler Controls and Options

MODEL	DESCRIPTION
IT1	Thermostat for 1 room installation. For use with all models.
IT2	Second Thermostat for 2 room installations
ADI	CoolFlush™ autodrain and flush system
ADI-D	CoolFlush™ autodrain and flush system with Digital Clock
IDS	In room "Refresh" control for a quick burst of steam on demand
I60	60 minute timer to control steam in rooms with intermittent use
I24/7	7 Day Timer with 2 hour on/off segments
I24/1	24 Hour Timer with 30 minute on/off segments
D24/7	7 Day Digital Timer
LWCO	Low Water Cut-off with manual reset
ASX-100	Single cartridge Scale-X filter system
ASX-200	Dual cartridge Scale-X filter system

amerec AI BOILER SPECIFICATION GUIDE



AI Boiler Minimum Access Dimensions

Locating the AI Boiler

- Do not install in areas accessible to the general public.
- Do not store combustible, corrosive materials or chemicals near the boiler.
- AI Steam Boilers are intended for indoor use only.
- Protect from freezing.
- Not for space heating purposes.

Install the boiler in an easily accessible area which is indoors, dry and protected from freezing.

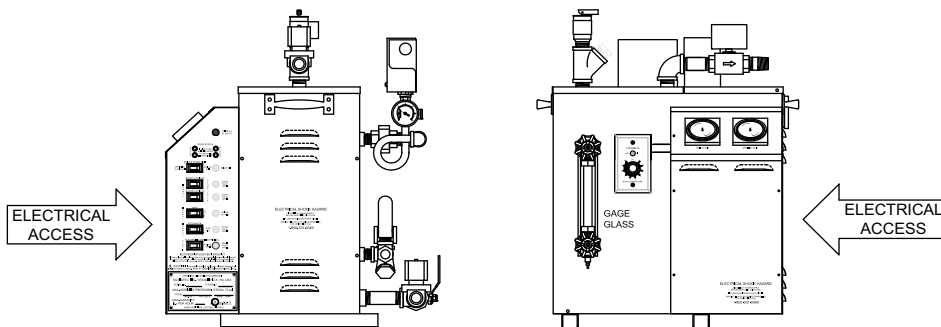
The boiler may be mounted directly on a combustible surface, such as a wooden floor. Three 1/4" bolt holes are provided in the boilers "feet" to secure it in place where required.

Install upright and level side to side and front to back, and provide access for service.

AI Boilers must be installed by a licensed plumber and electrician to local and national codes.

Provide at least 18in (460mm) for electrical service access at the left side and the end as shown below.

Note: Your local codes may require greater clearances, particularly for electrical service.

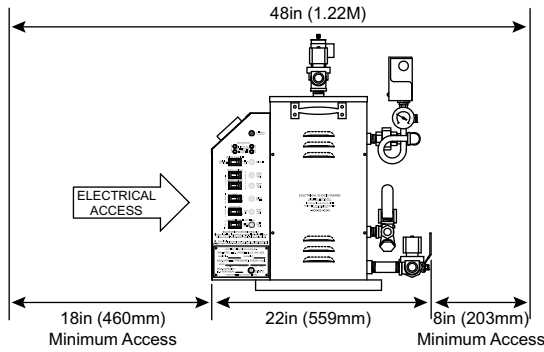


CAUTION: Boiler pipes and fittings can become extremely hot and may cause burns! The boiler should be installed to prevent accidental contact.

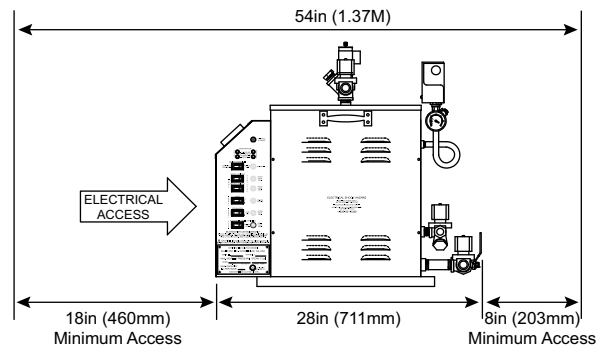
CAUTION: Keep all flammable materials and chemicals away from the boiler!

amerec AI BOILER SPECIFICATION GUIDE

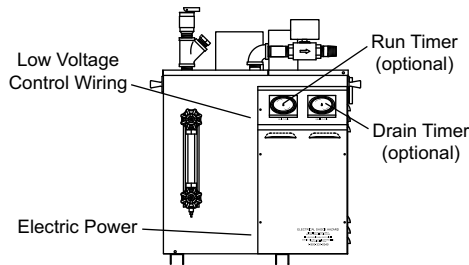
12 kW, 18kW, 24kW
Front



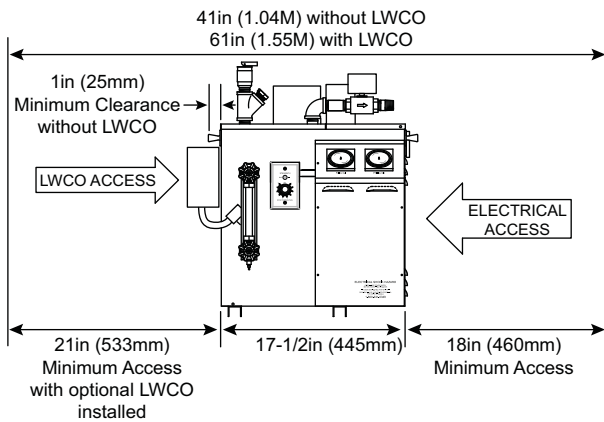
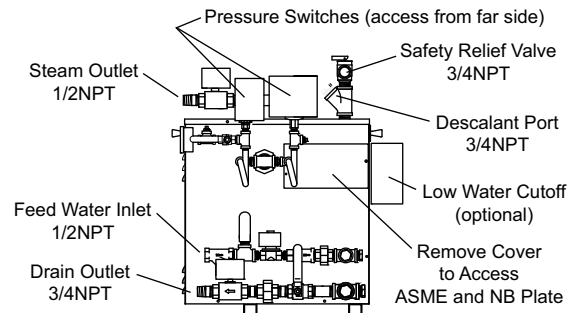
30kW, 36kW, 42kW, 48kW
Front



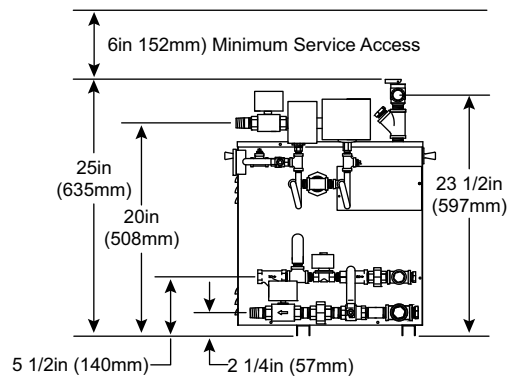
Left Side, All Models



Right Side, All Models
Shown with optional ADI CoolFlush drain and LWCO



Left Side, All Models
Shown with optional Boiler Mounted Thermostat
and LWCO



Right Side, All Models
Shown with optional ADI CoolFlush drain



SEE COMPLETE INSTALLATION INSTRUCTIONS FOR WARNINGS!