

INSTALLATION INSTRUCTIONS



STALLBROOK URINAL 6400 SERIES

Thank you for selecting American Standard – the benchmark of fine quality for over 100 years. To ensure this product is installed properly, please read these instructions carefully before you begin. (Certain installations may require professional help.) Also be sure your installation conforms to local codes.

BEFORE YOU BEGIN:

- ▲ CAUTION: PRODUCT IS FRAGILE. TO AVOID BREAKAGE AND POSSIBLE INJURY HANDLE WITH CARE!
- ▲ CAUTION: RISK OF PERSONAL INJURY OR PRODUCT DAMAGE. HANDLE WITH CARE. VITREOUS CHINA CAN BREAK OR CHIP IF THE PRODUCT IS HANDLED CARELESSLY.
- ▲ CAUTION: RISK OF PRODUCT DAMAGE. DO NOT OVERTIGHTEN THE BOLTS.

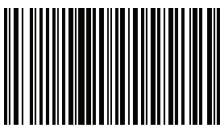
NOTES:

- Pictures may not exactly define contour of china and components.
- Observe all local plumbing and building codes.
- Refer to local codes and manufacturer's instructions for flush valve requirements.
- Carefully inspect the new urinal for damage.
- Fixture dimensions are nominal and conform to tolerances by ASME Standard A112.19.2.
- Site preparation may require additional tools and hardware.

RECOMMENDED TOOLS AND MATERIALS

Safety Glasses Adjustable Wrench Pencil Tape Measure
Thread Sealant Blade Screwdriver Levels

SAVE FOR FUTURE USE



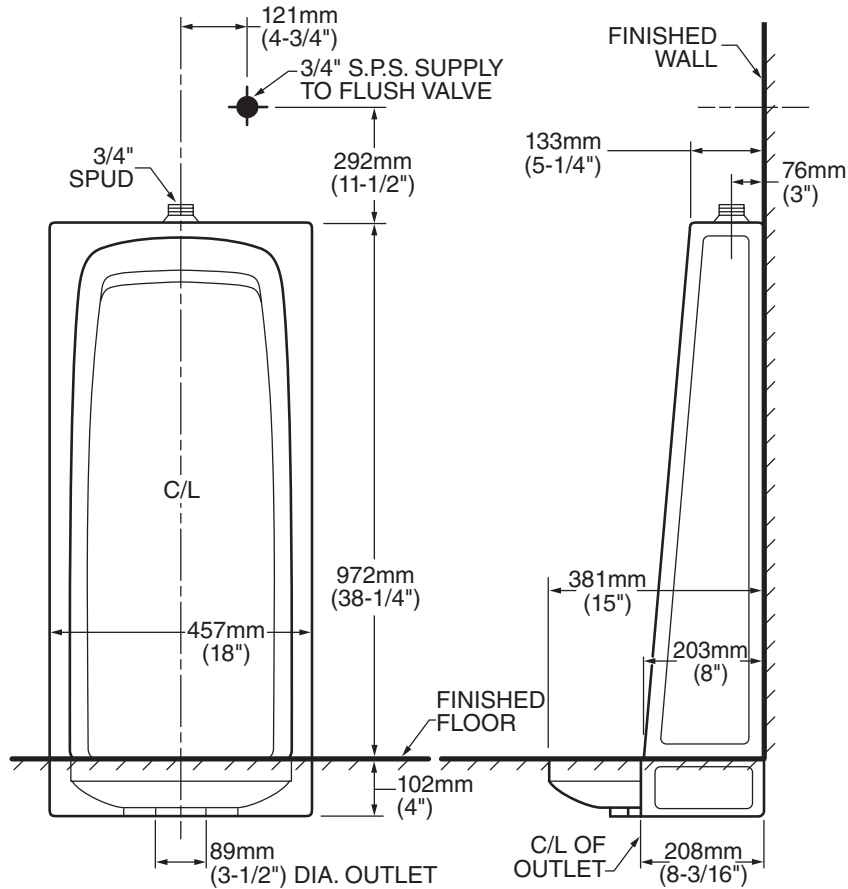
7302142-100

Product names listed herein are trademarks of AS America Inc.
© AS America Inc. 2016

7302142-100

Roughing-in

IMPORTANT: Roughing-in dimensions may vary 1/2" (13 mm) and are subject to change or cancellation without prior notice. No responsibility is assumed for use of superseded or voided spec sheets/installation instructions.



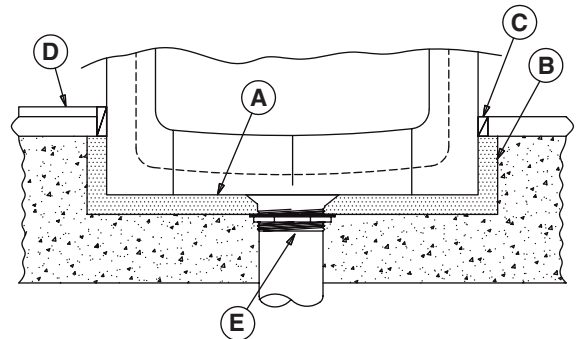
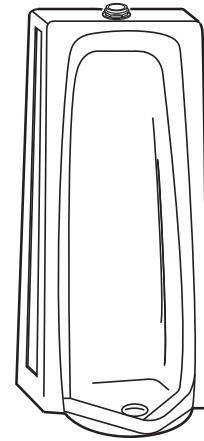
1 PREPARATION

- 1a. Turn the water supply OFF.
- 1b. Install or relocate the supply tubing and waste pipe as necessary to conform to the roughing in dimensions.
- 1c. Install the shut off valve.

1d. **IMPORTANT:**

Vitreous china urinal stalls, because of the nature of the material of which they are made, require careful handling and a knowledge of the usual procedure in installing them. Damage to urinal stalls because of building or piping strains will be greatly reduced or avoided if the following suggestions are followed:

- A.** A pit should be provided in the rough floor of sufficient depth to allow the lip of the urinal to set flush with the finished floor, with a sand cushion of not less than 1" (25 mm) under the stall.
- B.** A waterproof strip (42" x 3" x 1/8" thick / 1067 x 76 x 3mm thick) should be placed around urinal as shown.
- C.** A space of not less than 1/8" (3 mm) filled with a plastic waterproof compound should be provided between floor and stall.
- D.** Finished floor should be sloped to drain into the lip of the stall.
- E.** For various applications of universal strainers (provided by other) see step 2 on next page.



2 INSTALL THE STRAINER (provided by others)

CAUTION:

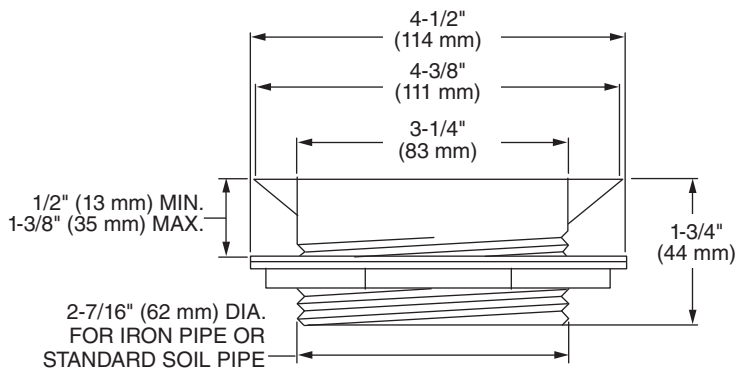
Urinals should not be cast in, clamped, or rigidly fastened to floors or walls.

Wainscoting should never be set directly on top of urinals. Do not use wood blocks under stall.

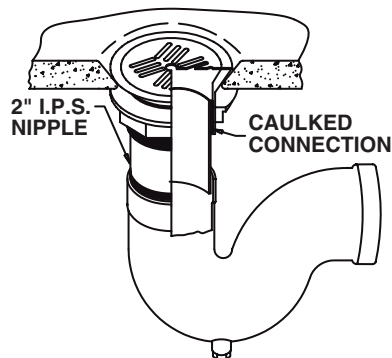
Soil lines and traps should be anchored solidly to prevent piping strain. Do not install urinal until one week after rough floors are cast.



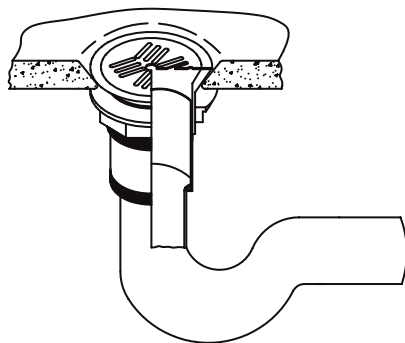
UNIVERSAL STRAINER FOR FLEXIBLE CONNECTION



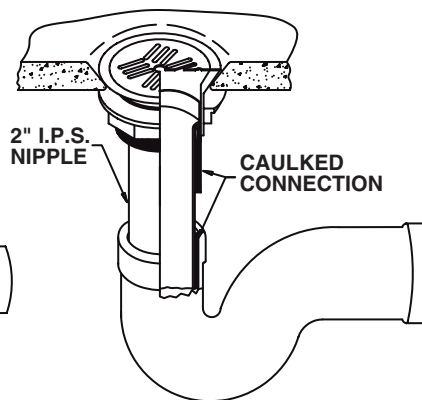
Choose a universal strainer for use with 2" (51 mm) lead connection as well as iron or soil pipe, 4-3/8" (111 mm) diameter flange. The feature of lead between the urinal strainer and trap provides a flexible connection which will avoid any strain on the urinal stall due to expansion or contraction of the waste piping.



IRON PIPE CONNECTION



LEAD CONNECTION



LEAD CONNECTION

3**COMPLETE THE INSTALLATION**

- a. Install the flush valve according to the manufacturer's instructions.
- b. Connect the water supply.
- c. Turn on the water supply.
- d. Flush and check the entire installation for leaks.

CARE & CLEANING

Wash with mild soapy water and rinse thoroughly. Dry with a soft cloth. Avoid detergents, disinfectants or cleaning products in aerosol cans as they may damage fittings.

In the United States:

American Standard Brands
P.O. Box 6820
Piscataway, New Jersey 08855
Attention: Director of Customer Care
For residents of the United States, warranty information may also be obtained by calling the following toll free number: (800) 442-1902
www.americanstandard.com

In Canada:

AS Canada, ULC
5900 Avebury Rd.
Mississauga, Ontario
Canada L5R 3M3
Toll Free: (800) 387-0369
www.americanstandard.ca

In Mexico:

American Standard B&K Mexico
S. de R.L. de C.V.
Via Morelos #330
Col. Santa Clara
Ecatepec 55540 Edo. Mexico
Toll Free: 01-800-839-1200
www.americanstandard.com.mx