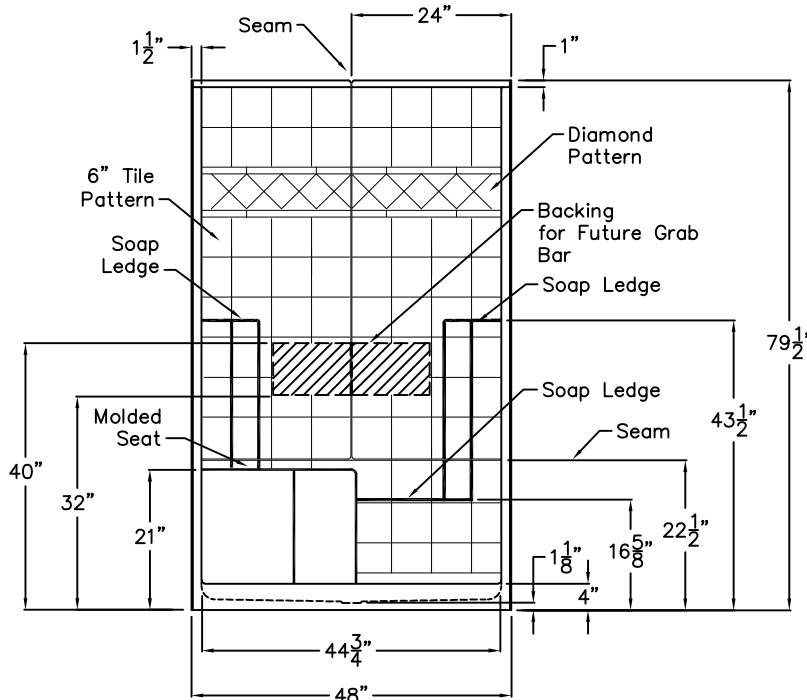


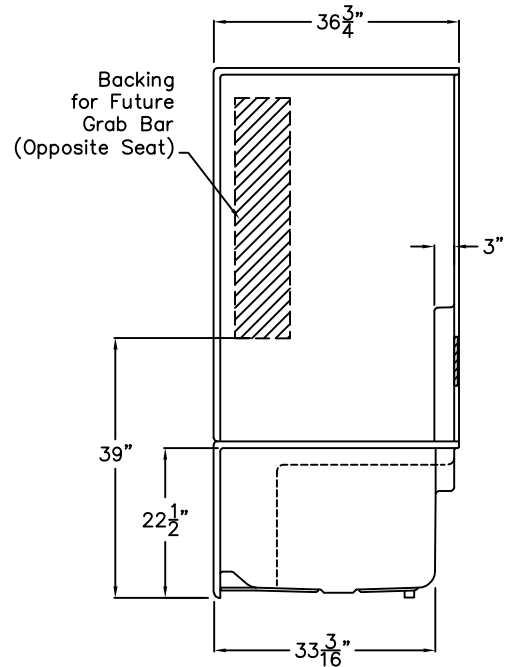
Luxury Acrylic Series

SUBMITTAL DATA

FRONT VIEW

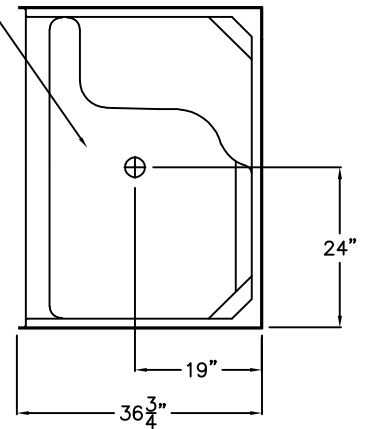


SIDE VIEW



Slip Resistant Pattern On Floor (No Channel)

TOP VIEW



Sectional Shower

This shower enclosure shall be Choose Home Model CHM 3648 SH 3P 1S right, or left. Finished surface shall be of sanitary-grade applied acrylic. The unit shall have outside dimensions of 48" x 36 3/4" x 79 1/2". The unit shall meet IAPMO Z124-2011, and CSA B45.5-11.

The enclosure shall be equipped with the following factory installed accessories:
 1) Reinforced backing on the back wall for future horizontal grab bar,
 2) Reinforced backing on the drain end wall for future vertical grab bar (bars by others),
 3) Molded seat,
 4) Tile finish,
 5) Diamond accents,
 6) Molded corner soap ledges,
 7) Molded soap ledge low on back wall,
 8) Three piece sectional design,
 9) 4.0" threshold.

Available options:

- 1) Hand held shower set (includes: swivel connector, 60" flex hose, 30" slide bar, brass nipple, locknut, wall brackets, and shower outlet),
- 2) Pressure balance valve,
- 3) Green anti-bacterial shower curtain with hooks,
- 5) White weighted shower curtain with hooks,
- 6) Drain,
- 7) Grab bars.

DUE TO THE NATURE OF THE MATERIALS INVOLVED
 UNIT DIMENSIONS MAY VARY ± 1/2 INCH

Job Name:

PRAXIS

Approved by Print Name:

Drawing: CHM 3648 SH 3P 1S 4.0 FBP

Approved by Signature:

Date:

Date: 9-7-2011

Revised: 4-5-17

Rep.:

Wholesaler:

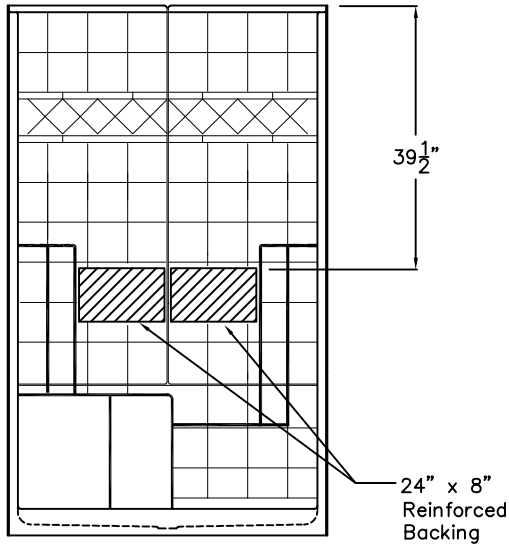
Quote No.:

PRAXIS INDUSTRIES, LLC.
 435 INDUSTRIAL RD - SAVANNAH, TN 38372
 1 (800) 443-7269 - FAX (731) 925-4290

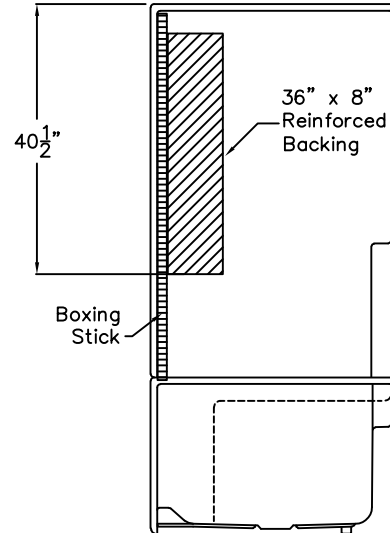
Backing Placement Drawing

SUBMITTAL DATA

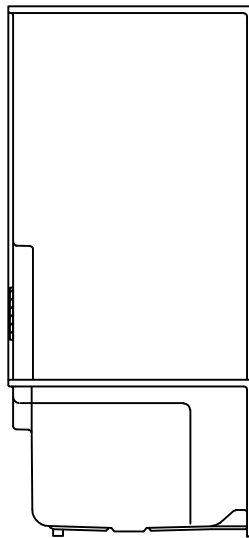
FRONT VIEW



SIDE VIEW



SEAT SIDE VIEW



DUE TO THE NATURE OF THE MATERIALS INVOLVED
UNIT DIMENSIONS MAY VARY $\pm 1/2$ INCH

Job Name:	PRAXIS	
Approved by Print Name:	Drawing: CHM 3648 SH 3P 1S 4.0 FBP-BP	
Approved by Signature:	Date:	Date: 9-7-2011 Revised: 4-5-17
Rep.:	Wholesaler:	Quote No.:

PRAXIS INDUSTRIES, LLC.
435 INDUSTRIAL RD - SAVANNAH, TN 38372
1 (800) 443-7269 - FAX (731) 925-4290