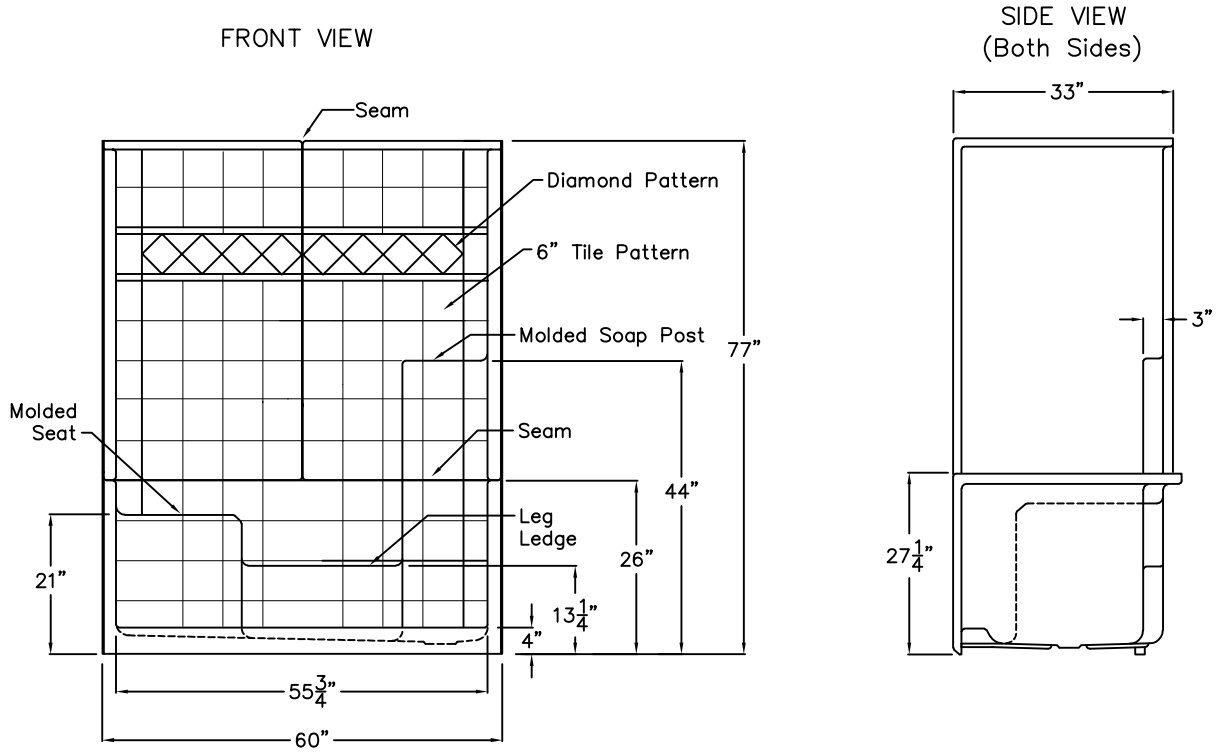


# Luxury Acrylic Series

## SUBMITTAL DATA

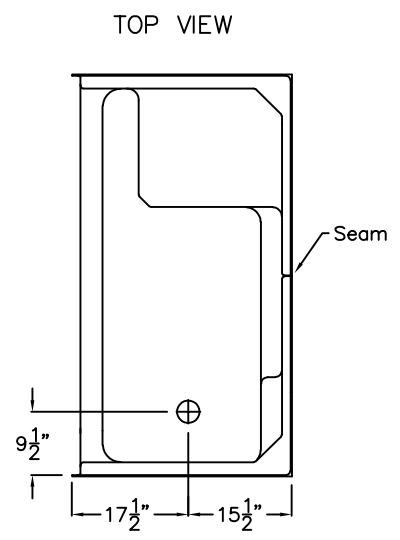


**Sectional Shower**

This shower enclosure shall be Choose Home Model CHM 6032 SH 3P 1S right, or left. Finished surface shall be of sanitary-grade applied acrylic. The unit shall have outside dimensions of 60" x 33" x 77". The unit shall meet IAPMO Z124-2011, and CSA B45.5-11.

The enclosure shall be equipped with the following factory installed accessories:  
 1) Full reinforced backing on all walls, 2) Molded corner soap dishes, 3) Molded leg ledge on the back wall, 4) Three piece sectional design, 5) Tile pattern, 6) Diamond accents, 7) 4.0" threshold.

Available options:  
 1) Hand held shower set (includes: swivel connector, 60" flex hose, 30" slide bar, brass nipple, locknut, wall brackets, and shower outlet), 2) Pressure balance valve, 3) Green anti-bacterial shower curtain with hooks, 5) White weighted shower curtain with hooks, 6) Drain, 7) Grab bars.



DUE TO THE NATURE OF THE MATERIALS  
 DIMENSIONS MAY VARY ± 1/2"

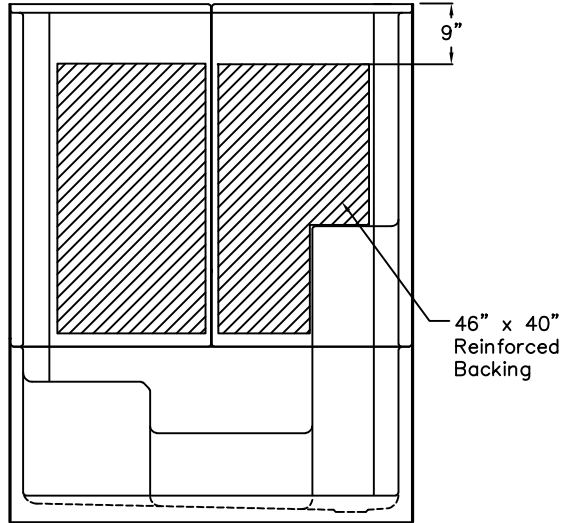
Job Name:		<b>PRAXIS</b>	
Approved By Print Name:		Drawing#: CHM 6032 SH 1S 3P 4.0 FWB	
Approved By Signature:	Date:	Date: 8-22-08	Revised: 4-5-17
Rep.:	Wholesaler:	Quote No.:	

PRAXIS INDUSTRIES, LLC.  
 435 INDUSTRIAL RD - SAVANNAH, TN 38372  
 1 (800) 443-7269 - FAX (731) 925-4290

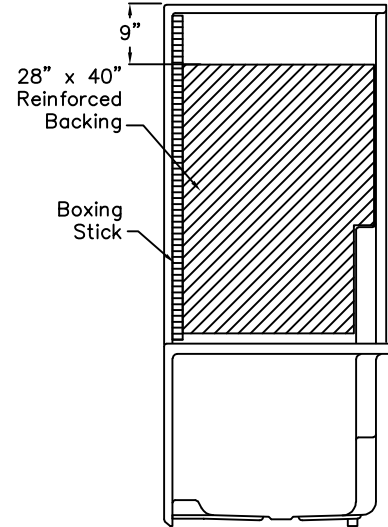
# Backing Placement Drawing

## SUBMITTAL DATA

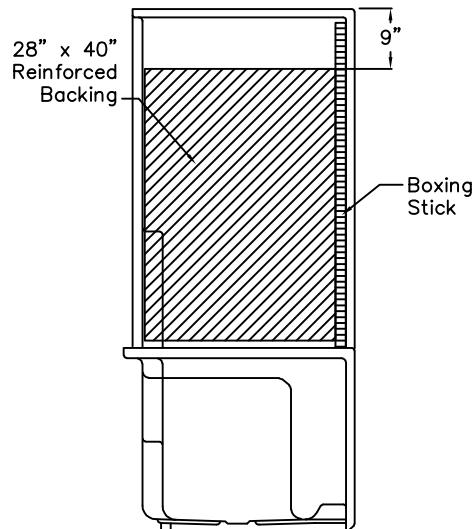
FRONT VIEW



SIDE VIEW



SEAT SIDE VIEW



DUE TO THE NATURE OF THE MATERIALS  
DIMENSIONS MAY VARY  $\pm 1/2$ "

Job Name:	<b>PRAXIS</b>	
Approved by Print Name:	Drawing#: CHM 6032 SH 1S 3P 4.0 FWB-BP	
Approved by Signature:	Date:	Date: 5-8-07. Revised: 4-5-17
Rep.:	Wholesaler:	Quote No.:

PRAXIS INDUSTRIES, LLC.  
435 INDUSTRIAL RD - SAVANNAH, TN 38372  
1 (800) 443-7269 - FAX (731) 925-4290