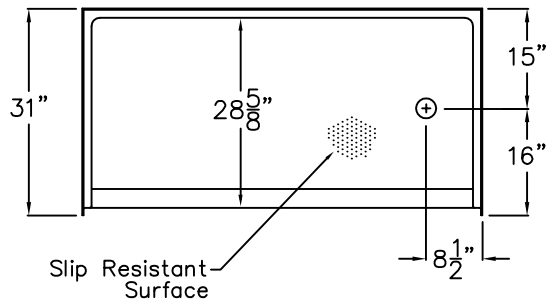


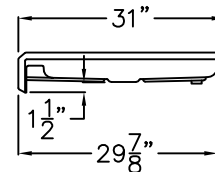
Comfort Series

SUBMITTAL DATA

TOP VIEW



SIDE VIEW



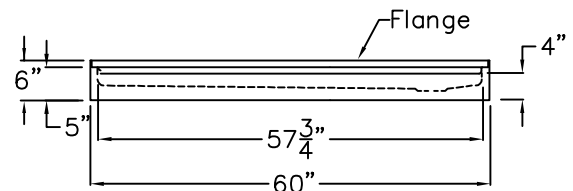
Shower Pan

This shower pan shall be Aquarius Model MPB 6030 SH 4.0 right or left drain. Finished surface shall be of sanitary-grade applied acrylic. The unit shall have outside dimensions of 60" x 31" x 6". The unit shall meet IAPMO Z124-2011, and CSA B45.5-11.

The enclosure shall be equipped with the following factory installed accessories:

- 1) Right or left drain location,
- 2) 4.0 threshold.

FRONT VIEW



DUE TO THE NATURE OF THE MATERIALS INVOLVED
UNIT DIMENSIONS MAY VARY ± 1/2 INCH

Job Name:	AQUARIUS
Approved By Print Name:	Drawing#: MPB 6030 SH 4.0 L-R PAN
Approved By Signature:	Date: 3-31-09 Revised: 11-15-16
Rep.:	Wholesaler: Quote No.

PRAXIS INDUSTRIES, INC.
ROUTE 1, BOX 46D - SAVANNAH, TN 38372
1 (800) 443-7269 - FAX (901) 925-4290

Recyclable Paper