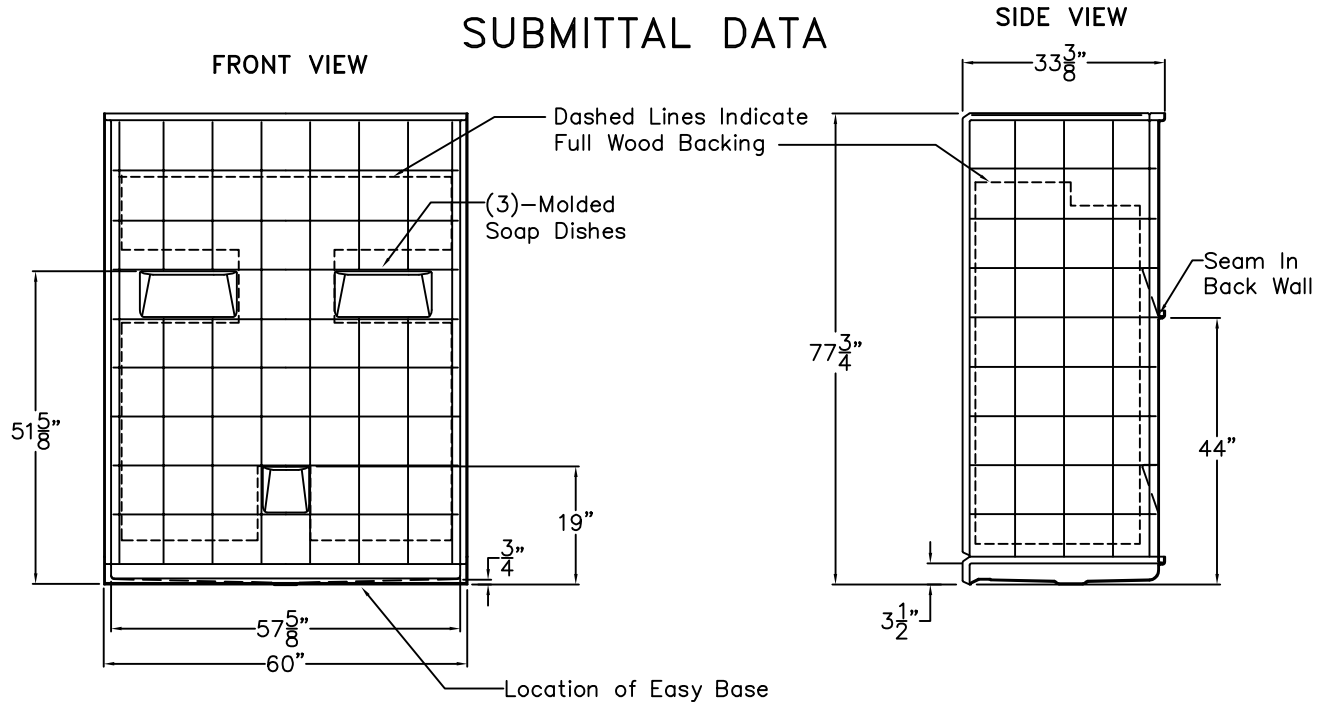


Comfort Series

SUBMITTAL DATA



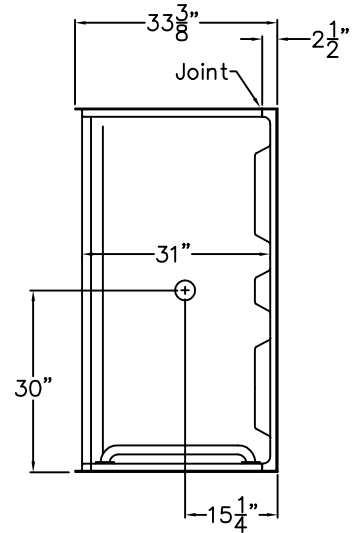
Sectional Shower

This shower enclosure shall be Aquarius Model MP 6033 BF 5P .75 center drain. Finished surface shall be of sanitary-grade applied acrylic. The unit shall have outside dimensions of 60" x 33 3/8" x 77 3/4". The unit shall meet IAPMO Z124-2011, and CSA B45.5-11.

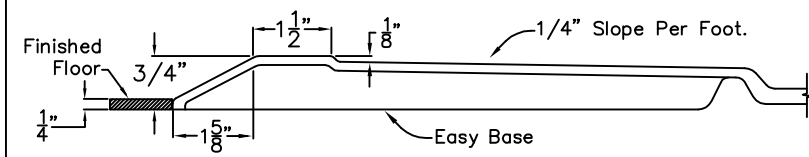
The enclosure shall be equipped with the following factory installed accessories:

- 1) Molded soap ledges.
- 2) Molded lower ledge on back wall,
- 2) Tile finish,
- 3) Five piece sectional design,
- 4) Full wood backing on all walls,
- 5) Factory installed Easy Base self sustaining bottom,
- 6) Center drain location,
- 7) 1.0" threshold.

TOP VIEW



Detail of 3/4" Threshold



DUE TO THE NATURE OF THE MATERIALS INVOLVED UNIT DIMENSIONS MAY VARY ± 1/2 INCH

Job Name:		AQUARIUS	
Approved by Print Name:		Drawing#: MP 6033 BF 5P .75 C	
Approved by Signature:	Date:	Date: 8-31-10	Revised: 10-19-16
Rep.:	Wholesaler:	Quote No.	

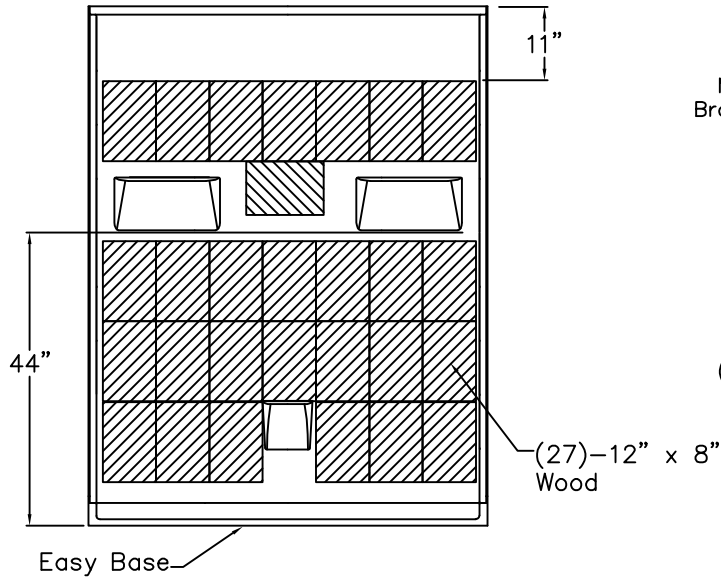
PRAXIS INDUSTRIES, INC.
 ROUTE 1, BOX 46D - SAVANNAH, TN 38372
 1 (800) 443-7269 - FAX (901) 925-4290

Recyclable Paper

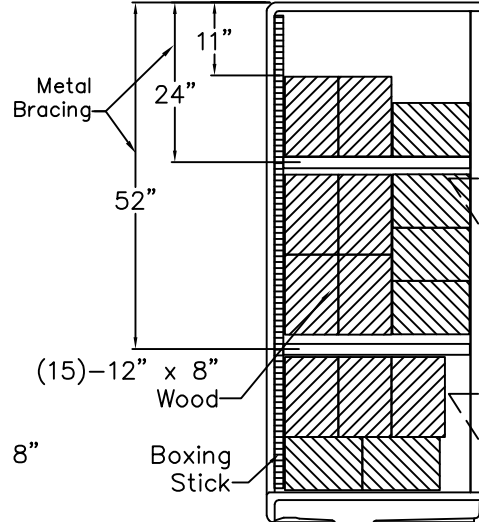
Board Placement Drawing

SUBMITTAL DATA © 2004

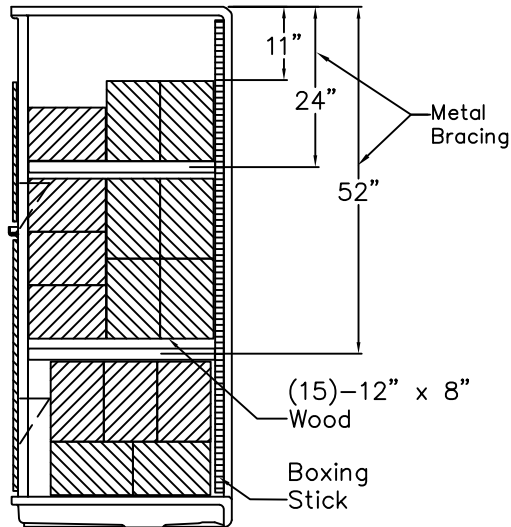
FRONT VIEW



SIDE VIEW



SIDE VIEW



DUE TO THE NATURE OF THE MATERIALS INVOLVED
UNIT DIMENSIONS MAY VARY ± 1/2 INCH

Job Name:	AQUARIUS		
Approved by Print Name:	Drawing#: MP 6033 BF 5P .75 C-BP		
Approved by Signature:	Date:	Date: 12-21-09	Revised: 10-19-16
Rep.:	Wholesaler:	Quote No.:	

PRAXIS INDUSTRIES, INC.
ROUTE 1, BOX 46D - SAVANNAH, TN 38372
1 (800) 443-7269 - FAX (901) 925-4290