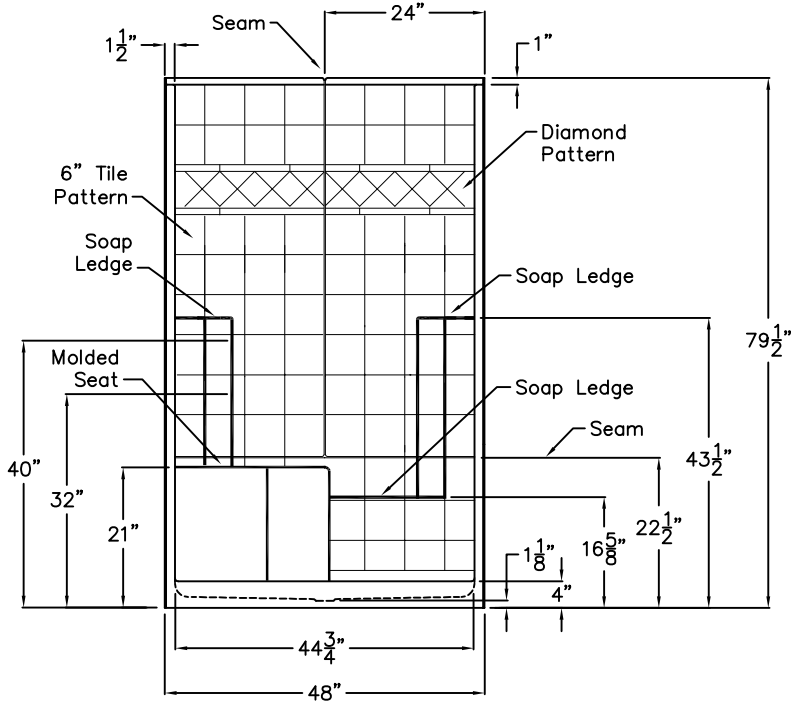


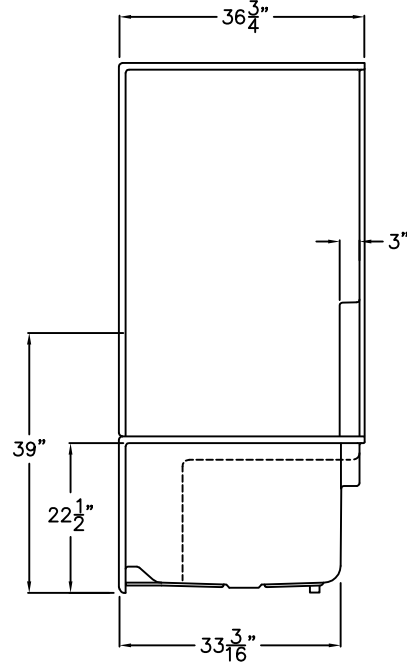
Luxury Acrylic Series

SUBMITTAL DATA

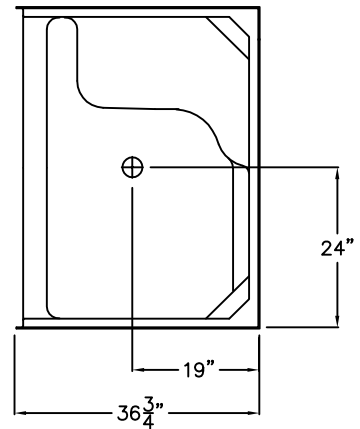
FRONT VIEW



SIDE VIEW



TOP VIEW



Sectional Shower

This shower enclosure shall be Aquarius Model M 3648 SH 1S 3P right or left. Finished surface shall be of sanitary-grade applied acrylic. The unit shall have outside dimensions of 48" x 36 3/4" x 79 1/2". The unit shall meet IAPMO Z124-2011, and CSA B45.5-11.

The enclosure shall be equipped with the following factory installed accessories:

- 1) Two molded soap dishes,
- 2) Molded lower leg ledge on the back wall
- 3) Molded seat,
- 4) Tile finish,
- 5) Diamond accents,
- 6) Three piece sectional design,
- 7) 4.0" threshold.

DUE TO THE NATURE OF THE MATERIALS
 UNIT DIMENSIONS MAY VARY ± 1/2 INCH

Job Name:	AQUARIUS	
Approved by Print Name:	Drawing: M 3648 SH 1S 3P 4.0	
Approved by: Signature:	Date:	Date: 9-7-2011 Revised: 10-14-16
Rep.:	Wholesaler:	Quote No.:

PRAXIS INDUSTRIES, LLC.
 435 INDUSTRIAL RD - SAVANNAH, TN 38372
 1 (800) 443-7269 - FAX (731) 925-4290