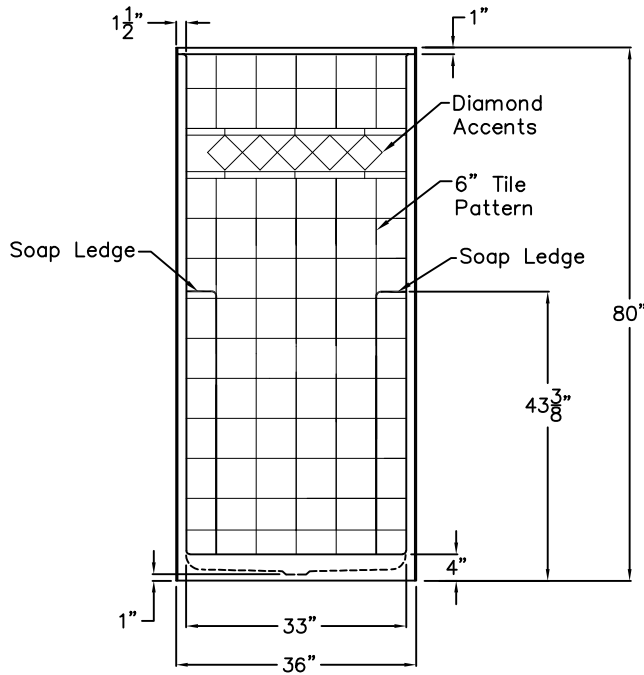


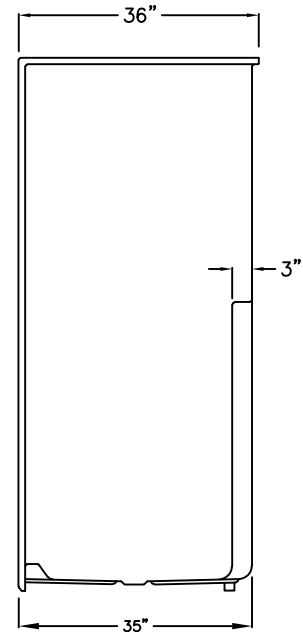
Luxury Acrylic Series

SUBMITTAL DRAWING

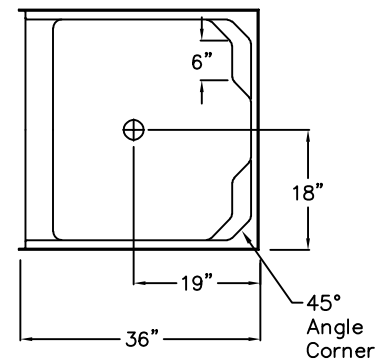
FRONT VIEW



SIDE VIEW



TOP VIEW



Simulated Tile Shower

This shower enclosure shall be Model M 3678 SH Tile center drain. Finished surface shall be of sanitary-grade applied acrylic. The unit shall have outside dimensions of 36" x 36" x 80". The unit shall meet IAPMO Z124-2011, and CSA B45.5-11.

The enclosure shall be equipped with the following factory installed accessories:

- 1) Molded soap ledges,
- 2) Center drain location,
- 3) Tile finish,
- 4) Diamond accent,
- 5) 4.0" threshold.

DUE TO THE NATURE OF THE MATERIALS
 DIMENSIONS MAY VARY ± 1/2"

Job Name:

PRAXIS

Approved by Print Name:

Drawing#: M 3678 SH Tile

Approved by Signature:

Date:

Date: 1-10-03 Revised: 4-4-17

Rep.:

Wholesaler:

Quote No.:

PRAXIS INDUSTRIES, LLC.
 ROUTE 1, BOX 46D - SAVANNAH, TN 38372
 1 (800) 443-7269 - FAX (731) 925-4290