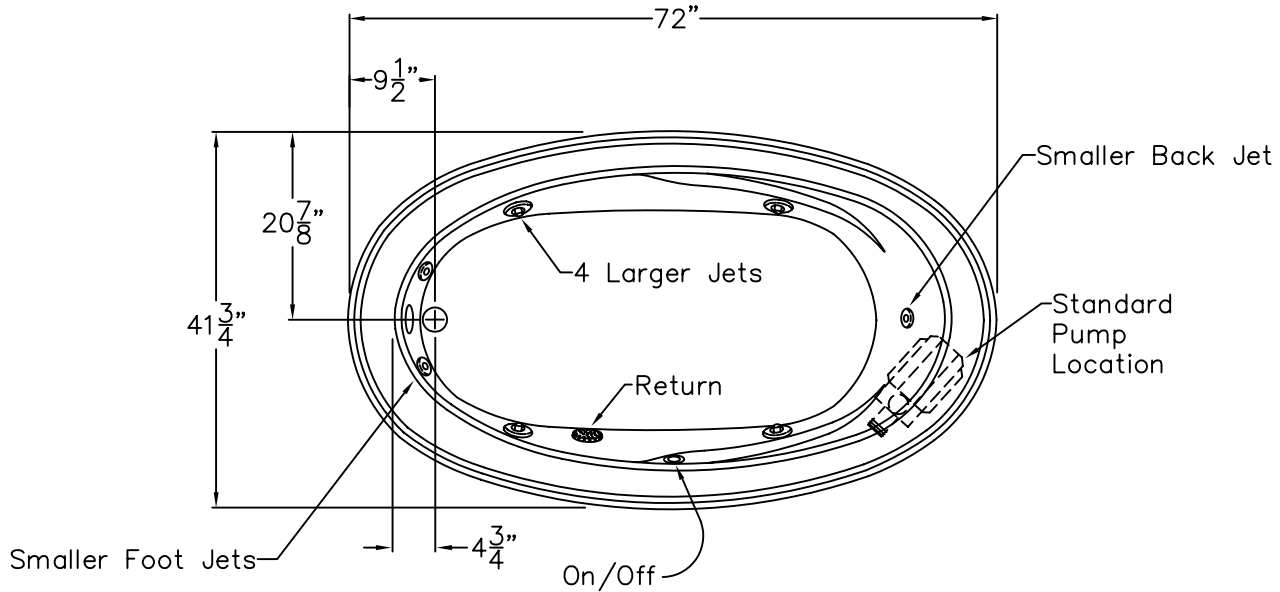


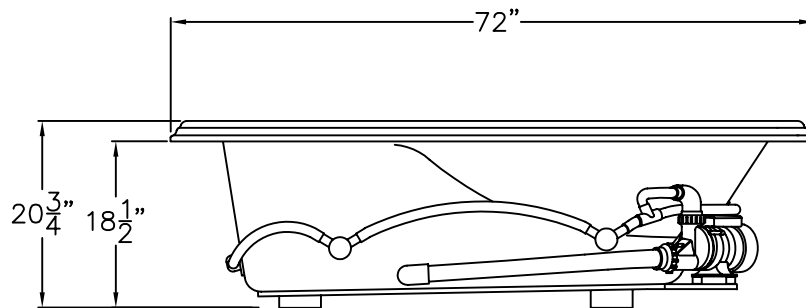
# Luxury Acrylic Series

## SUBMITTAL DATA

TOP VIEW



FRONT VIEW



RNORLNS6 TO DI ACRYLIC FACED DROP IN BATHTUB.  
CONFIGURED WITH 7 WHIRLPOOL JETS PUMP-MOTOR,  
AND ON/OFF CONTROL.

DUE TO THE NATURE OF THE MATERIALS  
DIMENSIONS MAY VARY ±1/2"

Job Name:

PRAXIS

Model No.:

Drawing#: RNORLNS6 DI WP

Approved by:

Date Approved:

Date: 4-19-06

Revised: 2-15-12

Rep.:

Wholesaler:

Quote No.:

PRAXIS INDUSTRIES, LLC.  
435 INDUSTRIAL RD - SAVANNAH, TN 38372  
1 (800) 443-7269 - FAX (731) 925-4290