

**TO COMPLETE YOUR ORDER, THIS DOCUMENT MUST BE SIGNED AND FAXED TO AKER ORDER DESK
FAX: (304) 263-8369 • PHONE: 1-800-962-2537**

DATE: _____

CUSTOMER: _____

SHIP TO: _____

P.O. #: _____

QUANTITY: _____

_____ / ____ / ____

PLUMBING CONTRACTOR APPROVAL _____ DATE _____

_____ / ____ / ____

ENGINEER APPROVAL _____ DATE _____

JOB NAME: _____

QUOTE#: _____

PHONE: _____

SPECIAL NOTES: _____

_____ / ____ / ____

GENERAL CONTRACTOR APPROVAL _____ DATE _____

_____ / ____ / ____

ARCHITECT APPROVAL _____ DATE _____

IMPORTANT NOTES:

1. MAAAX assumes no responsibility for final code compliance. Information and specifications taken from this document must be confirmed with appropriate authorities.
2. Units are code compliant when fully equipped and installed according to guidelines.
3. Due to possible water leaks between the threshold of the shower and the curtain, MAAAX recommends the installation of a floor drain outside the unit.

INTERIOR DIMENSIONS	36" L x 36" W x 76 5/8" H
EXTERIOR DIMENSIONS	38 3/4" L x 39" W x 78 3/4" H
SKIRT HEIGHT	1 1/8"
THRESHOLD HEIGHT	1/2"
WEIGHT	162 LB
MATERIAL	GELCOAT
WARRANTY	5 YEARS

STANDARD FEATURES

- 1-piece transfer shower
- Reinforced according to Fair Housing Act accessibility requirements
- Center drain
- Textured bottom
- Available in standard and non-standard colors

COMPLIANT PACKAGE

Fully equipped - Massachusetts compliant

Base model with complete Massachusetts package

- 2 x 30" Horizontal straight textured stainless steel grab bar
- Rectangular fold-up Naugahyde white seat
- Chrome pressure balance mixing valve with hand-held shower
- Chrome 30" slide bar & 60" hose

Specify colors

White Bone Biscuit

Non-standard color: _____

Options

- 36" Chrome curtain rod (factory-installed)
- Chrome recessed soap dish (drilled, not installed)

Accessories (sold separately)

- Solid Brass drain with Chrome plated stainless steel grid
- 36" white vinyl shower curtain with stainless steel hooks

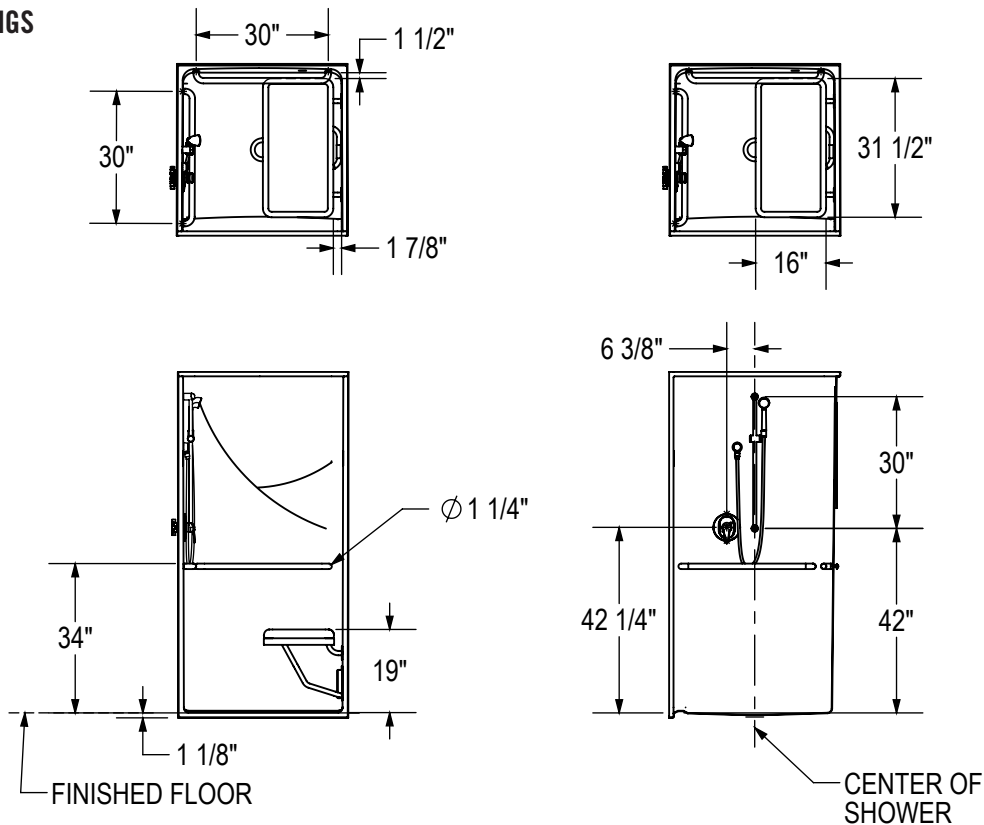
(141278-R/L)



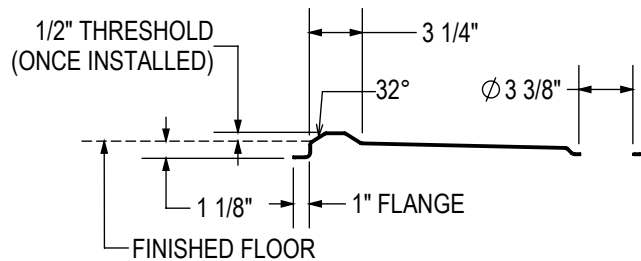
TO COMPLETE YOUR ORDER, THIS DOCUMENT MUST BE SIGNED AND FAXED TO AKER ORDER DESK
FAX: (304) 263-8369 • PHONE: 1-800-962-2537

TECHNICAL DRAWINGS

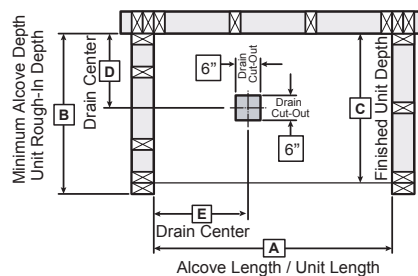
Left side shown
Right side symmetrical



DAM PROFILE



FRAMING DIMENSIONS



Model	A	B	C	D	E
141278	38 3/4"	39"	38"	19 1/2"	19 3/4"

MINIMUM CLEARANCE

SHOWER 36" X 36"	
MASS.	
F	48"
G	36"

Clearance zone from the control wall and adjacent to the open face.

