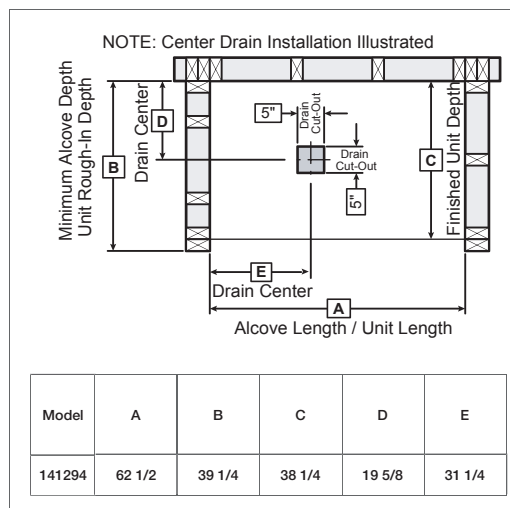


TECHNICAL SPECIFICATIONS

OPS-6036 - Base Model

MODEL NUMBER 141294

DIMENSIONS: 60" x 36" x 76 5/8" Gelcoat



STANDARD FEATURES

- One-piece roll-in shower reinforced according to FHA accessibility requirements
- Configurable to be compliant with major accessibility codes when properly installed
- Center drain
- Textured bottom
- 1 1/8 inch skirt and 1/2 inch high threshold

UNIQUE FEATURES

- None

OPTIONS

- Chrome recessed soap dish (drilled, not installed)
- 60" Curtain rod
- Solid Brass drain with Chrome plated Stainless Steel grid
- 72 in. White vinyl shower curtain with Stainless Steel hooks

SYSTEMS

- None

CERTIFICATIONS

AKER products adhere to one or more of the following certifications:



Project :

Contractor :

AKER Representative : Tel :

Date :

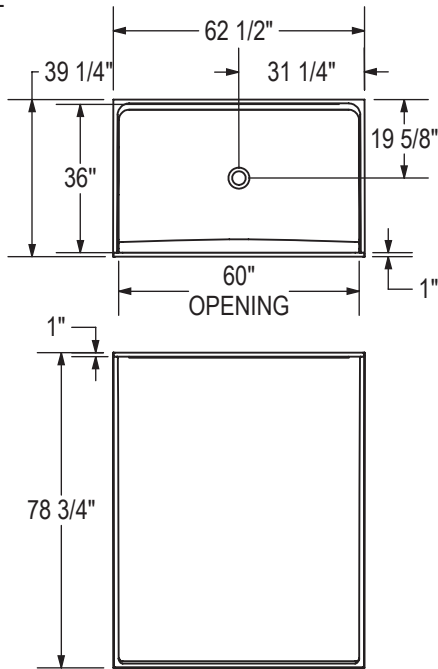
TECHNICAL SPECIFICATIONS

OPS-6036 - Base Model

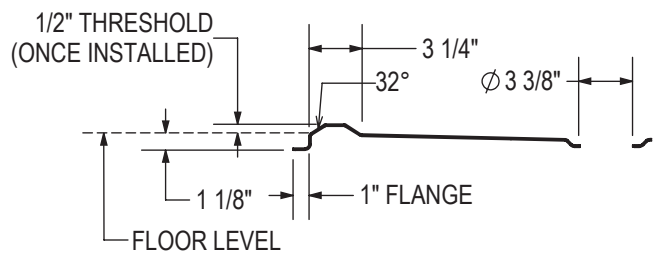
MODEL NUMBER 141294

TECHNICAL DRAWINGS

BASE MODEL



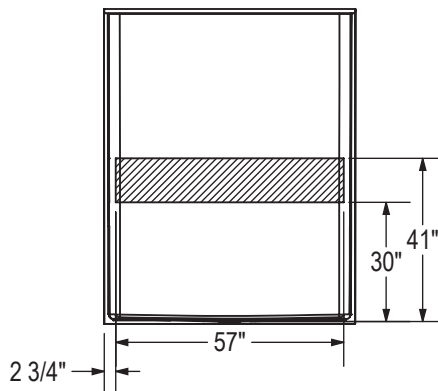
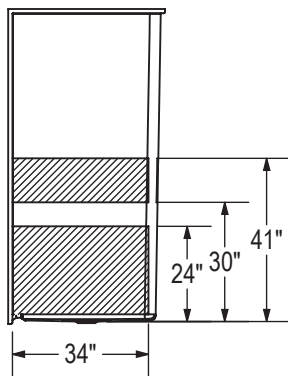
THRESHOLD DETAIL



REINFORCEMENT BACKING

RIGHT WALL SHOWN
LEFT WALL SYMMETRICAL

BACK WALL



All dimensions are approximate. Structure measurements must be verified against the unit to ensure proper fit.