

# TECHNICAL SPECIFICATIONS

## OPS-6036-RS - with ADA/ANSI Grab Bar

MODEL NUMBER 141337

DIMENSIONS: 60" x 36" x 76 5/8" Gelcoat



### STANDARD FEATURES

- 1-piece roll-in shower reinforced according to FHA accessibility requirements
- One horizontal L-shaped (33" x 37") grab bar
- Center drain
- Textured bottom
- 3/4" reduced skirt and 1/2" high threshold

### UNIQUE FEATURES

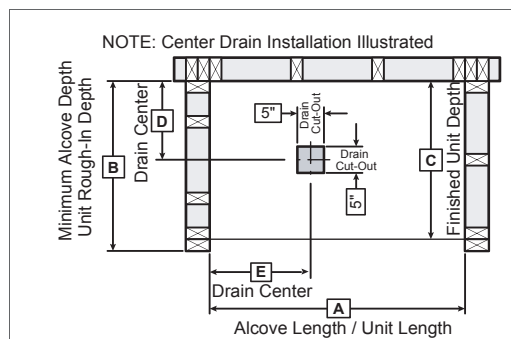
- None

### OPTIONS

- 72 in. White vinyl shower curtain with Stainless Steel hooks
- Chrome recessed soap dish (drilled, not installed)
- Solid Brass drain with Chrome plated Stainless Steel grid
- 60" Curtain rod

### SYSTEMS

- None



Model	A	B	C	D	E
141336	62 1/2	39 1/4	38 1/4	19 5/8	31 1/4

Project : .....

Contractor : .....

AKER Representative : ..... Tel : .....

Date : .....

### CERTIFICATIONS

AKER products adhere to one or more of the following certifications:



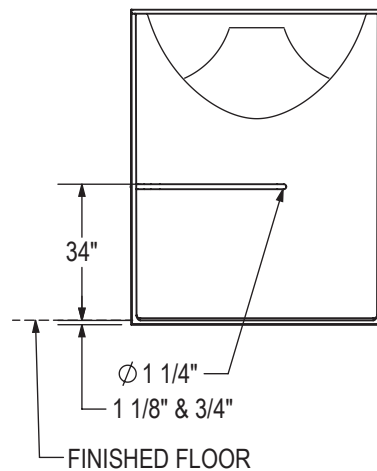
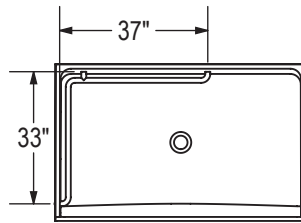
## TECHNICAL SPECIFICATIONS

# OPS-6036-RS - with ADA/ANSI Grab Bar

MODEL NUMBER 141337

## TECHNICAL DRAWINGS

BASE MODEL WITH ADA/ANSI L-SHAPED GRAB BAR PACKAGE  
LEFT SIDE SHOWN  
RIGHT SIDE SYMMETRICAL



All dimensions are approximate. Structure measurements must be verified against the unit to ensure proper fit.