

These guidelines are recommended by MAAAX Aker for the proper installation of their product. A careful review of these procedures (and any referenced publications) before starting is important in avoiding unnecessary problems resulting in an improper assembly or installation.

NOTE: All drawings in this publication are typical, and may appear different than the actual items being installed. In addition, optional items may be shown on the units which may not have been ordered on the unit being installed.

ON WHIRPOOL EQUIPPED MODELS, A SEPARATE SET OF INSTRUCTIONS IS PACKED WITH THE UNIT FOR THE WHIRPOOL SYSTEM. READ THEM BEFORE INSTALLING THE UNIT!

WARNING!
NEVER LIFT OR HANDLE WHIRLPOOL BY SYSTEM PIPING AT ANY TIME. LIFTING THE UNIT BY THE PIPING CAN CAUSE SYSTEM DAMAGE.

Special Notes to Installer

* Is the sole responsibility of the installer to determine, prior to the installation, the requirements necessary for compliance with all codes involving the unit or the installation!

* All paperwork packaged with the unit and any associated options or accessories should be saved and presented the homeowner upon completion of the installation!

* **HANDLE THE UNIT BY THE SHELL ONLY!** Never lift any unit by attachments or piping on the shell.

* All published unit dimensions are for reference only. Any critical dimensions required for installation should be taken directly from the unit being installed!

* Any independent changes made to the unit (or to any options and accessories supplied with the unit) beyond those required for normal installation can void all warranties! *(Refer to warranties for further information.)*

Inspection guidelines

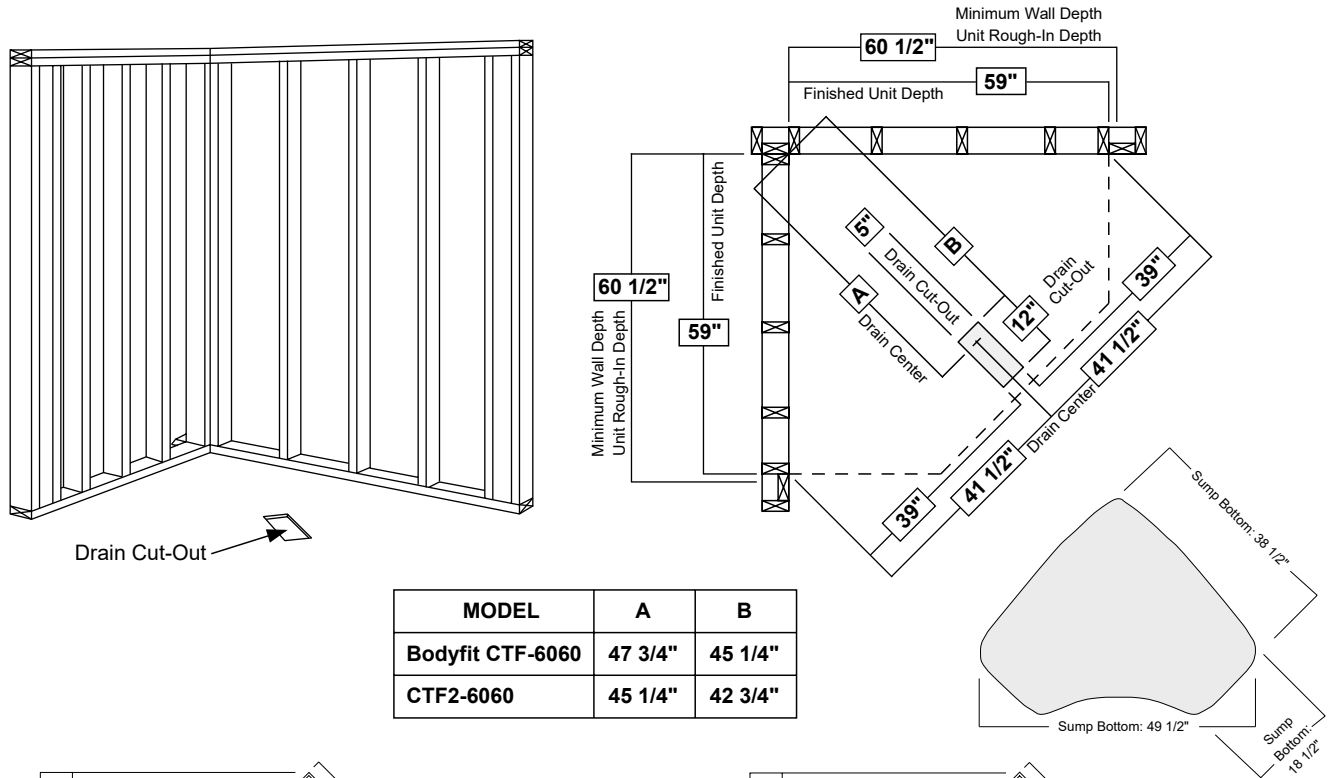
A careful check of the unit should be conducted upon receipt. Notify your supplier immediately if any questions or problems are encountered during this process.

DO NOT INSTALL ANY UNIT WITHOUT FIRST ADDRESSING QUESTIONS WHICH ARISE DURING THE INSPECTION!

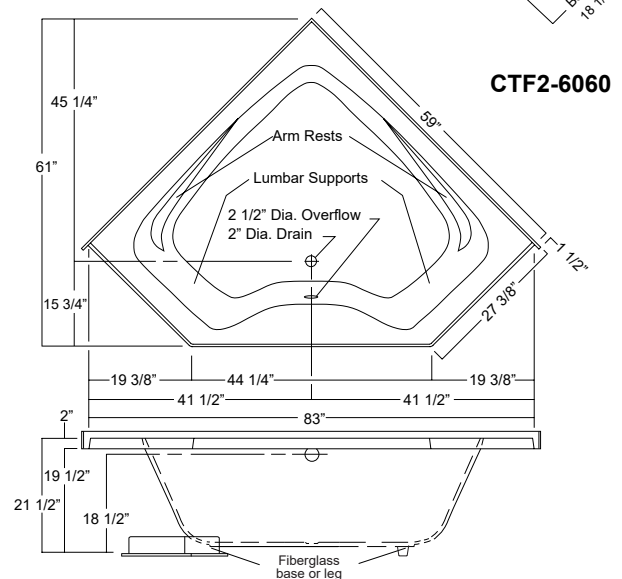
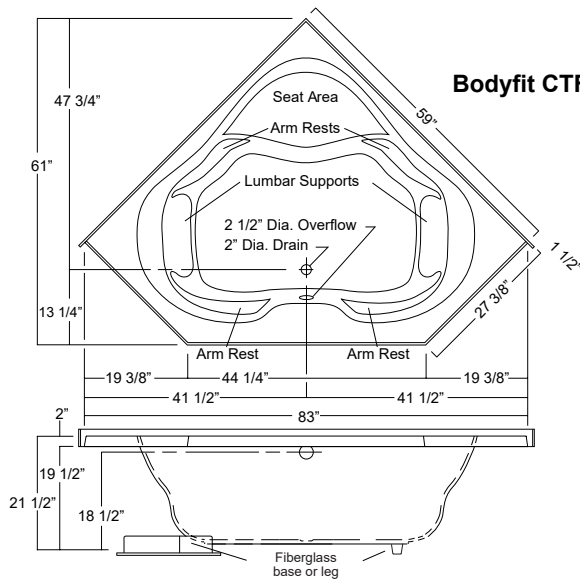
Basic Module Check
 ✓ Check for unit surface damage.
 ✓ Check unit color for coordination to other bathroom fixtures.
 ✓ Check for proper options and accessories.

Whirlpool and Accessories Check An Individual system check list is included in the assembly and operational guidelines packaged with whirlpool equipped models and various accessories. Refer to the listed publications for further information before continuing.

Figure 1 - Unit Data, Dimensional and Framing Guidelines (Tolerance: +0 / -3/8 inch)



MODEL	A	B
Bodyfit CTF-6060	47 3/4"	45 1/4"
CTF2-6060	45 1/4"	42 3/4"



Models	Unit Surface	Sump Bottom Dim. (W x L)	dry Unit Weight (1)	avg. Oper. Volume	Max. Sump Capacity	aseF Area	loor Loading (2)
Bodyfit CTF-6060G	elcoat	27 1/4 x 46 1/4 in.	158 lb.	44 gal.8	8 gal.8	.5 ²	82 lb/ft ²
CTF2-6060G	elcoat	(See Special Drawing)	134 lb.	74 gal.	100 gal.8	.6 ²	107 lb/ft ²

1. Dry unit weight includes whirlpool system.
2. Floor loading based on an occupied whirlpool tub with an average operating volume.

Framing procedure

Due to individual site variations, exact guidelines for every situation cannot be supplied. The recommended framing and dimensional requirements shown are for a typical application and may vary, depending on site requirements.

The dimensions on the framing illustration in figure 1 are from the surfaces where the unit will be attached. This surface can be bare studding, dry wall or other suitable underlayment material. It is important that the floor and all framing be square and level. Framing should be done using accepted materials and construction techniques, in accordance with all applicable codes.

NOTE: A pump access is MANDATORY for all whirlpool equipped modules. Additional access areas may be necessary to comply with code requirements. (Figure 6)

Installation procedure

With the unit positioned in the bath area, several details must be checked prior to securing the unit in place. (Figure 2)

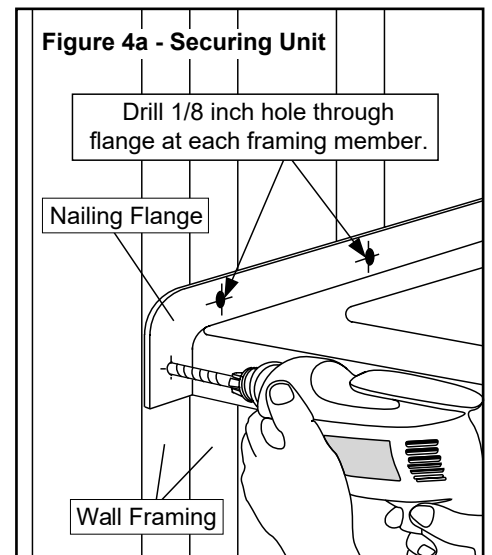
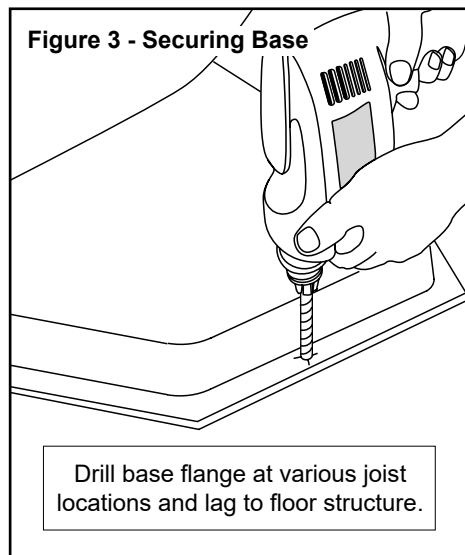
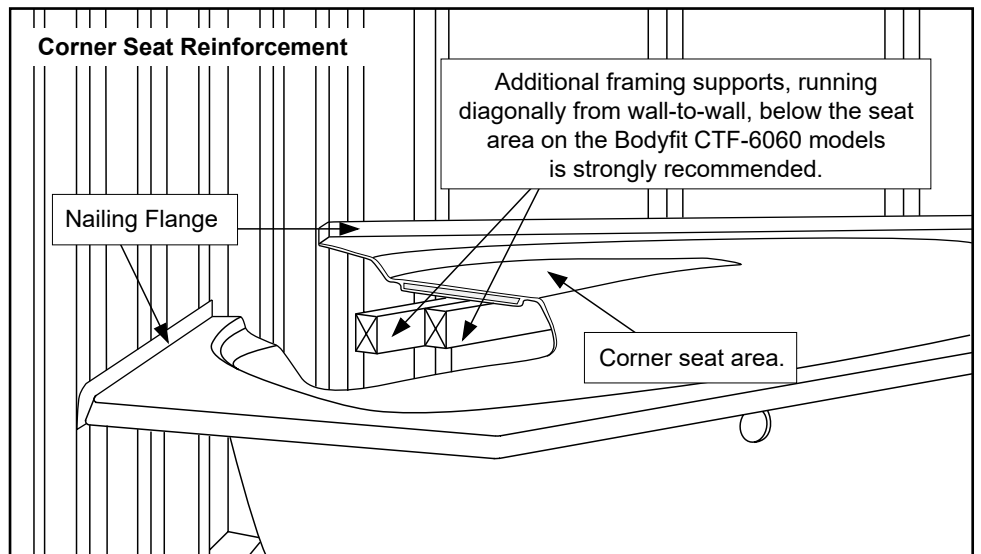
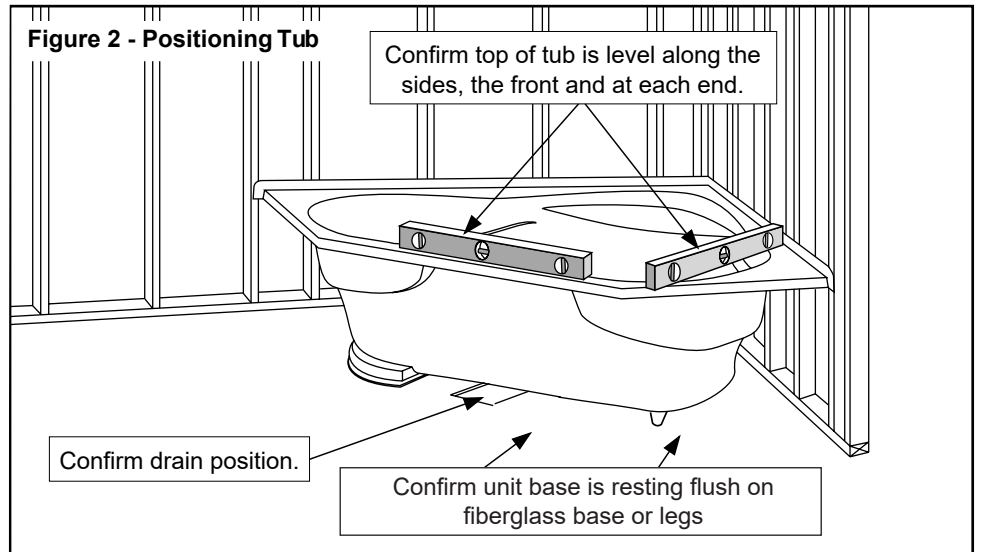
- √ Confirm the unit base is resting flush on the floor.
- √ Confirm drain position.
- √ Confirm the unit is level along the sides, the front and at each end.

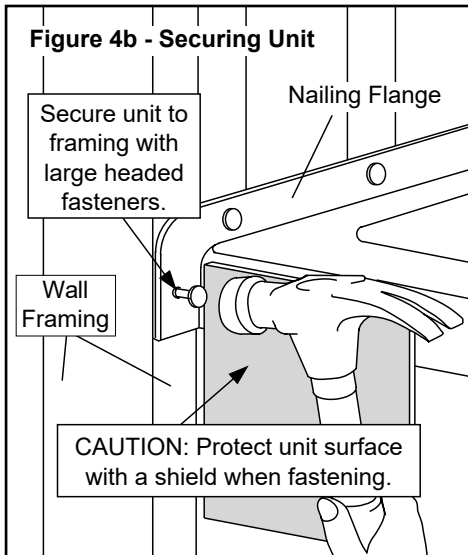
ON WHIRLPOOL EQUIPPED UNITS

√ Check for required modifications to framing due to whirlpool components.

If required, place material under the base to maintain the unit in a level position. On the corner seat model, additional framing members below the seat area are strongly recommended.

WARNING!
ANY MATERIAL PLACED UNDER THE BASE TO KEEP THE UNIT LEVEL MUST BE STRUCTURALLY SOUND AND APPLIED TO ENSURE THE UNIT'S WEIGHT WILL BE EQUALLY DISTRIBUTED OVER THE ENTIRE BASE.





IF THE UNIT IS A WHIRLPOOL WITH AN ALTERNATE PUMP MOUNTING, REFER TO THE SPECIAL ALTERNATE PUMP LOCATION SUPPLEMENT AT THIS TIME.

After the unit is confirmed level and square, drill and lag the base to various floor joists through the flange on the base, as shown in Figures 3.

With the base secured to the floor structure, drill a 1/8 inch hole through the nailing flange at each framing member. Secure the unit in place using 1-1/4 inch long (large headed) nails or other appropriate fasteners. Continuously check to confirm the unit remains square and level as it is being secured.

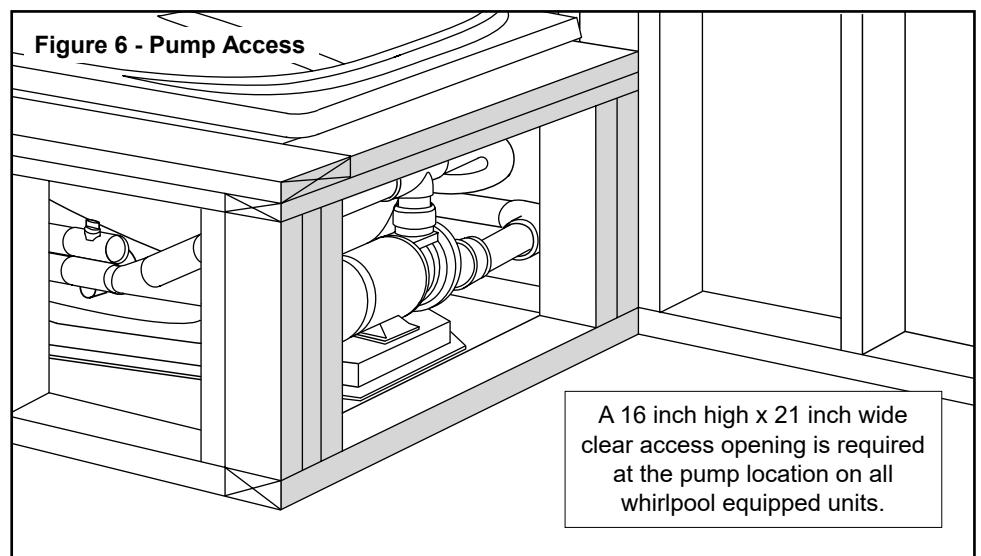
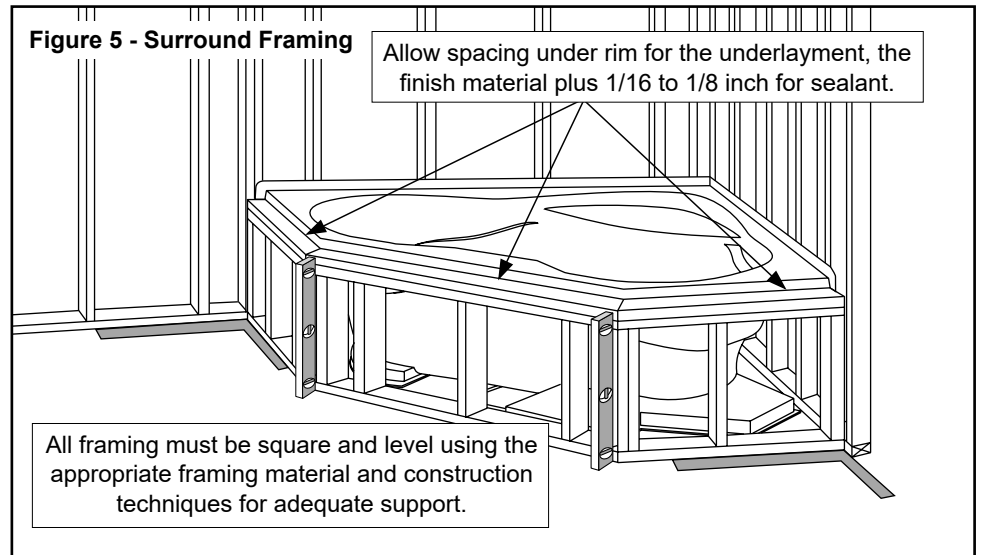
(Figure 4a & 4b)

WARNING!
THE UNIT BOTTOM SHOULD BE CLEAR OF ALL POTENTIALLY DAMAGING DEBRIS AND THE SURFACE PROTECTED BEFORE STEPPING INSIDE.

CAUTION: It is advisable to protect the unit surface with a thin plywood or cardboard shield while fastening the flange to the framing.

Apron Application

Since this unit does not include a fixed apron panel, a method for finishing off the front of the tub must be addressed.



A common technique is the use of a framed panel or deck area at the front of the tub, designed for the application of an accepted bath finishing material.

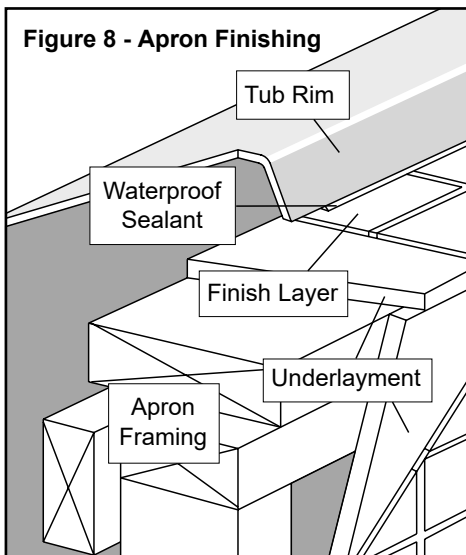
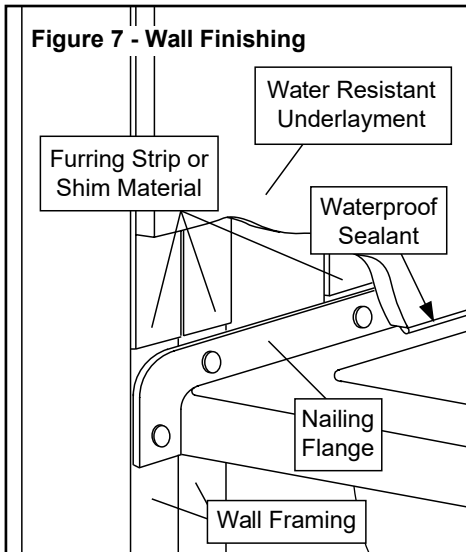
a. All apron area framing must be designed to provide adequate structural (weight bearing) support for the areas anticipated use and the finish material.

b. An appropriate underlayment must be used, allowing adequate coverage for the proper application of the finish material.

c. All provided access areas must comply with applicable codes for the installation site. A service access is mandatory at the pump location on all whirlpool models for all installations. (Figure 6)

d. Adequate clearances must be maintained at, or adjacent to the unit allowing for the proper installation of the finish material and for sealing the seams around the unit. (Figure 8)

Water Supply and Drain Connections Refer to, and follow, the assembly and installation instructions provided with the supply valves and drain system. Carefully check all fittings and connections for leaks.



Finishing Guidelines

Furring strips or filler material may be required over the framing to ensure the underlayment will lie flush over the nailing flanges. A water resistant underlayment is recommended on areas surrounding the unit. Stop the underlayment 1/16 to 1/8 inch from the unit surface, and fill the space with a continuous bead of waterproof sealant.

Carefully fasten the underlayment near the unit to avoid damaging the unit surface. Seal the seams and the edges of the underlayment, as required, and install material to specifications. (Figures 7 & 8)

Unit Surface Care

WARNING!
NEVER USE ABRASIVE MATERIALS NOR ABRASIVE CLEANERS ON THE UNIT SURFACE!

EXTREME CAUTION is urged regarding the use of any cleaner, acid or solvent on the unit surface.

READ AND FOLLOW ALL PACKAGE LABELS AND INSTRUCTIONS

Through routine use, the unit surface can collect residues from soap, bath additives and natural body oils. Additional deposits can also collect from minerals or particles found in the water.

After each use, wipe the excess water from the unit. This practice will reduce the buildup of deposits and help maintain the natural unit lustre.

Following a thorough surface cleaning, an application of quality automotive wax will help reduce major accumulations. The actual schedule for cleaning, and waxing, will depend on unit usage and water quality.

WARNING!
AVOID APPLYING WAX TO THE UNIT BOTTOM

√ Routine Cleaning: Mild, nonabrasive cleaner specifically formulated for gelcoat and acrylic surfaces recommended. (*Rinse surface thoroughly.*)

√ Heavy Soap Deposits: Liquid ammonia household cleaner, applied full strength. (*Rinse surface thoroughly.*)

√ Stubborn Stains: Liquid household cleaner or hydrogen peroxide, applied full strength. Place a saturated clean rag directly on stain and let stand several hours. (*Rinse surface thoroughly.*)

For extreme cases, buff area with white automotive polishing compound until stain disappears, and apply a quality automotive wax to surface.

√ Hard Water Scales: Liquid scale remover or white vinegar, applied full strength. (*Rinse surface thoroughly.*)

√ Mold/Mildew: Liquid mildew remover or baking soda and water paste. Apply paste and allow to fizz several minutes. (*Rinse surface thoroughly.*)

√ Construction Adhesive: Soften adhesive with hand held dryer and peel off adhesive. (*Caution is advised when using any electrical device near water.*)

For stubborn cases, apply rubbing alcohol or nail polish remover, full strength, to adhesive. (*Rinse surface thoroughly.*)

Refer to Whirlpool System Assembly and Operation Guide for guidelines on system care.

WARNING!
BATH MATS OR OTHER ITEMS WHICH ARE HELD IN PLACE USING SUCTION AGAINST THE UNIT SURFACE MUST BE REMOVED FROM THE FLOOR OF THE UNIT AFTER EACH USE.

OVER A PROLONGED PERIOD, FAILURE TO REMOVE THESE TYPES OF ITEMS FROM THE BOTTOM OF THE UNIT CAN RESULT IN SURFACE DAMAGE.



MAAX Aker as the manufacturer of Bath, Tub/Shower, Shower and Whirlpool Equipped Modules, reserves the right without prior notice to:

- a. Modify the design and manufacture of its existing products or product lines without incurring any obligation to make like modifications to products previously manufactured.
- b. Add new products, product lines and/or colors and options.
- c. Discontinue existing products, product lines and/or colors and options.

Any claims, statements or contracts made regarding materials, manufacturing methods, duration and/or obligations involving MAAX Aker other than those stated in the MAAX Aker written Limited Warranty are disclaimed. Review the terms and conditions of the Limited Warranty.

Code compliance for the basic unit structure and construction is monitored by recognized groups using accepted testing and inspection procedures.

ANSI Z 124.1 - 1995
American National Standard
for Plastic Bathtub Units

MAAX Martinsburg
718 Mid-Atlantic Parkway
Martinsburg, WV 25401

MAAX Plymouth
2121 Walter Glaub Dr.
Plymouth, IN 46563

MAAX Valdosta
1625 James P. Rodgers Road
Valdosta, GA 31601

MAAX Aker extends to the original purchaser and subsequent consumer a limited warranty on MAAX Aker Gelcoated Fiberglass and Vacuum Formed Acrylic modules (herein called "unit") against defects in materials and/or workmanship, which results in a significantly altered appearance or affects the performance of the unit for its intended purpose during the time period stated from date of purchase.

GELCOATED FIBERGLASS UNIT5 YEAR DURATION
VACUUM FORMED ACRYLIC UNIT.....25 YEAR DURATION

During this time period, MAAX Aker will, at its discretion (following inspection and verification of the claimed defect by an authorized company representative) either repair and/or refinish the unit or supply a replacement unit of comparable size and color without charge, but excluding any costs associated with the removal of and/or reinstallation of the unit. All MAAX Aker authorized and installed options and accessories are addressed under a separate warranty coverage program titled: OPTIONS AND ACCESSORIES LIMITED WARRANTY.

THIS WARRANTY DOES NOT COVER DEFECTS RESULTING FROM:
(a) improper unit installation, the surrounding structure or plumbing connections beyond the recommendations supplied by MAAX Aker within the scope of applicable codes and ordinances; or
(b) accident, abuse, misuse, negligence, fire, flood, or acts of God; or
(c) unreasonable use, including any use beyond that intended for the unit and/or failure to follow the Care and Maintenance Instructions for the unit; or
(d) any unauthorized alteration or modification to the unit beyond those required for normal installation, the addition of auxiliary powered devices or systems including but not limited to those which generate light, heat, or steam, or any other deviation to the unit not specifically designed for the unit, nor authorized in writing or installed by MAAX Aker; or
(e) removal of unit from the initial installation site; or
(f) the additions of enclosures, handicap accessories, grab bars, and/or other appliances and fittings (including installation technique) not specifically designed for the unit, nor authorized in writing or installed by MAAX Aker.

REPAIR, REFINISHING, OR THE SUPPLY OF A REPLACEMENT UNIT UNDER THIS WARRANTY SHALL BE THE EXCLUSIVE REMEDY. MAAX AKER SHALL NOT BE LIABLE FOR ANY INCIDENTAL OR CONSEQUENTIAL DAMAGES, INCLUDING ANY DAMAGE TO THE BUILDING, ITS CONTENTS OR OCCUPANTS, OR FOR BREACH OF ANY EXPRESSED OR IMPLIED WARRANTY. ANY IMPLIED WARRANTY REGARDING UNIT FITNESS FOR A PARTICULAR PURPOSE IS LIMITED IN DURATION TO THE TERMS OF THIS WARRANTY.

Some states do not allow the exclusion or limitation of incidental or consequential damages, or allow limitations on the duration of an implied warranty. Therefore, the above exclusions and/or limitations may not apply.

THIS WARRANTY PROVIDES SPECIFIC LEGAL RIGHTS, WHICH CAN VARY FROM STATE TO STATE.