

MINIMALIST RECTANGULAR
Vanity Mirror

SPECIFICATIONS:

DESCRIPTION

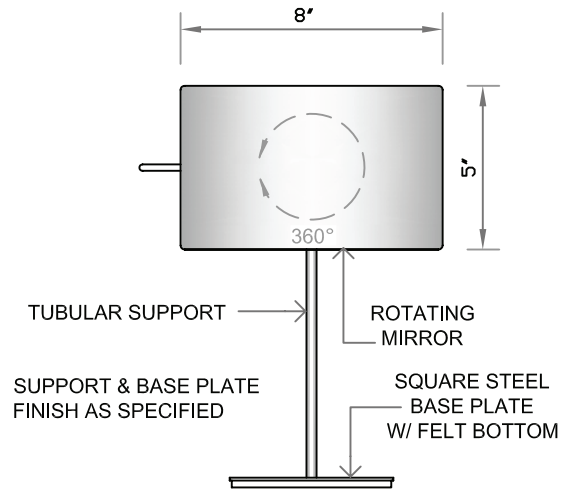
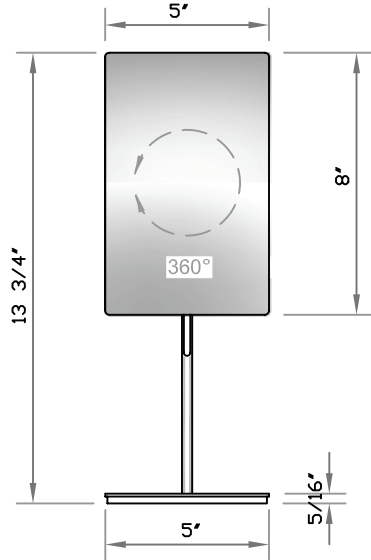
MIRROR:

- 1 NON LIGHTED, RECTANGULAR METAL BACKED (FRAMELESS) MIRROR WITH 3X MAGNIFICATION AND $\frac{3}{16}$ " Ø HANDLE.

BASE, SUPPORT & BRACKET:

- BASE PLATE.
- TUBULAR SUPPORT .
- SOLID TUBULAR FIXED BRACKET.

MIRROR ROTATES 360° AND TILTS 35° FOR VIEWING OPTIONS.



FRONT VIEWS

Scale: 1" = 6"

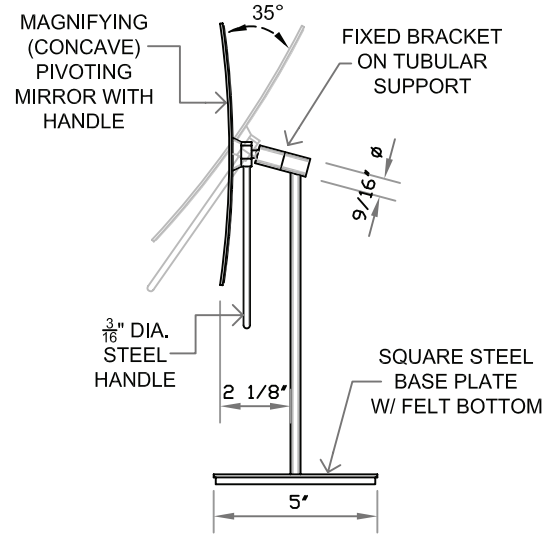
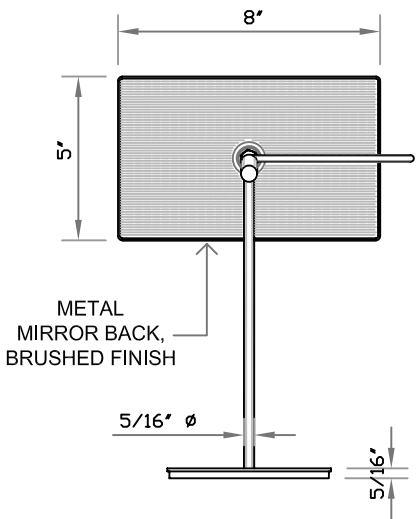
MATERIALS

MIRROR:

- OPTICAL GLASS.

SUPPORT & BRACKET:

- BRASS OVER STEEL.
- FINISH: AS SELECTED PER MODEL NUMBER, LACQUER OVER NICKEL COATING.



BACK VIEW

Scale: 1" = 6"

SIDE VIEW

Scale: 1" = 6"

WEIGHT:

2.6 lbs.

MODEL NUMBERS:

- 82243 - CHROME.
- 82273 - BRUSHED NICKEL.



CHANGING THE WAY YOU SEE YOURSELF

© APTATIONS, INC
Copyright 2010

