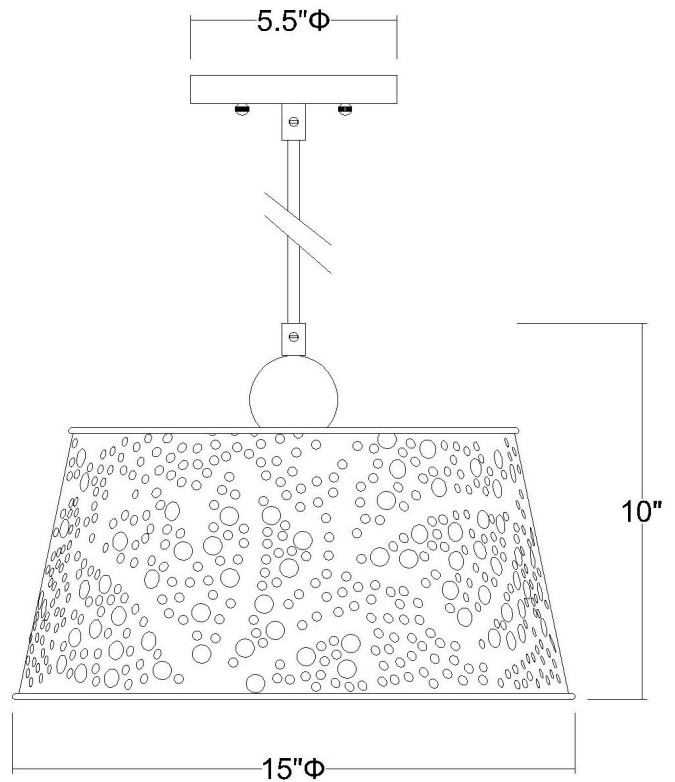


# IN31513AI

## IRIS 1-LIGHT PENDANT



**Description:** Iris 1-Light Pendant

**Finish:** Aged Ivory

**Dimensions:** 15" Dia. x 10" H

**Bulbs:** 1-100W Med.

**Installed Weight:** 1.9 lbs.

**Certification:** cUL / dry location

**Material:** Steel

**Shades:** Steel

**Glass:** NA

**Canopy Dimensions:** 5-1/2" Dia.

**Chain/Wire:** 12' Wire

**Additional Finishes:** NA