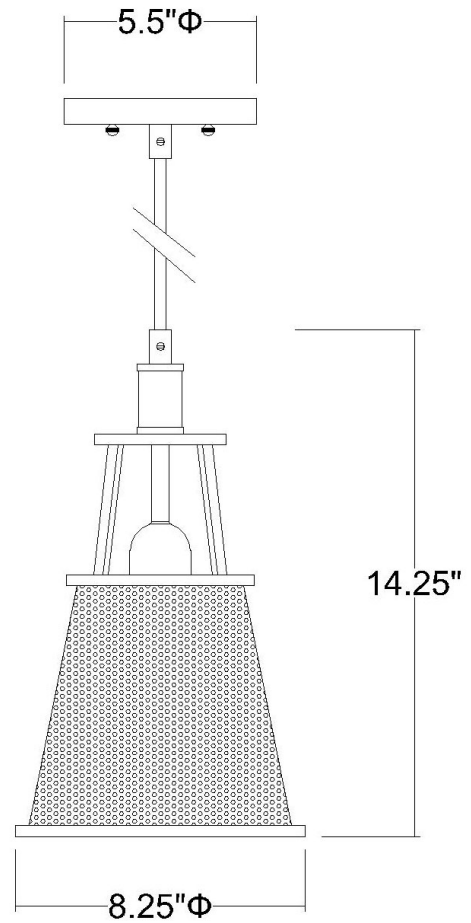


IN31512AI

IRIS 1-LIGHT PENDANT



Description:	Iris 1-Light Pendant
Finish:	Aged Ivory
Dimensions:	8-1/4" Dia. x 14-1/2" H
Bulbs:	1-100W Med.
Installed Weight:	1.5 lbs.
Certification:	cUL / dry location

Material:	Steel
Shades:	Steel
Glass:	NA
Canopy Dimensions:	5-1/2" Dia.
Chain/Wire:	12' Wire
Additional Finishes:	NA