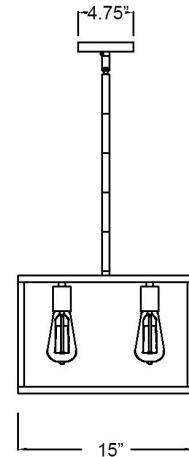
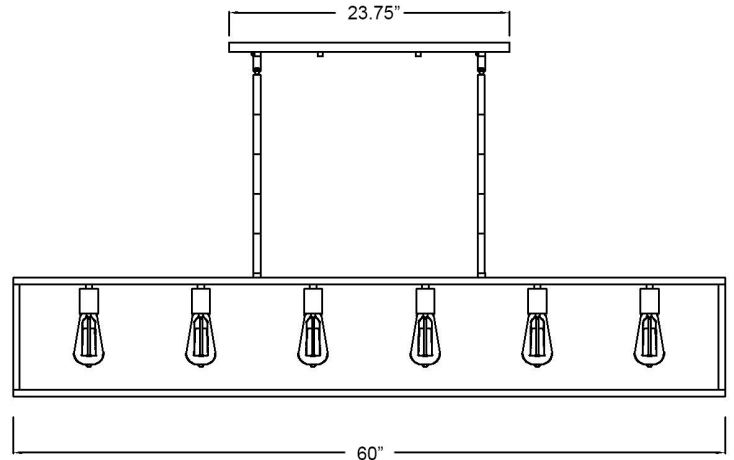
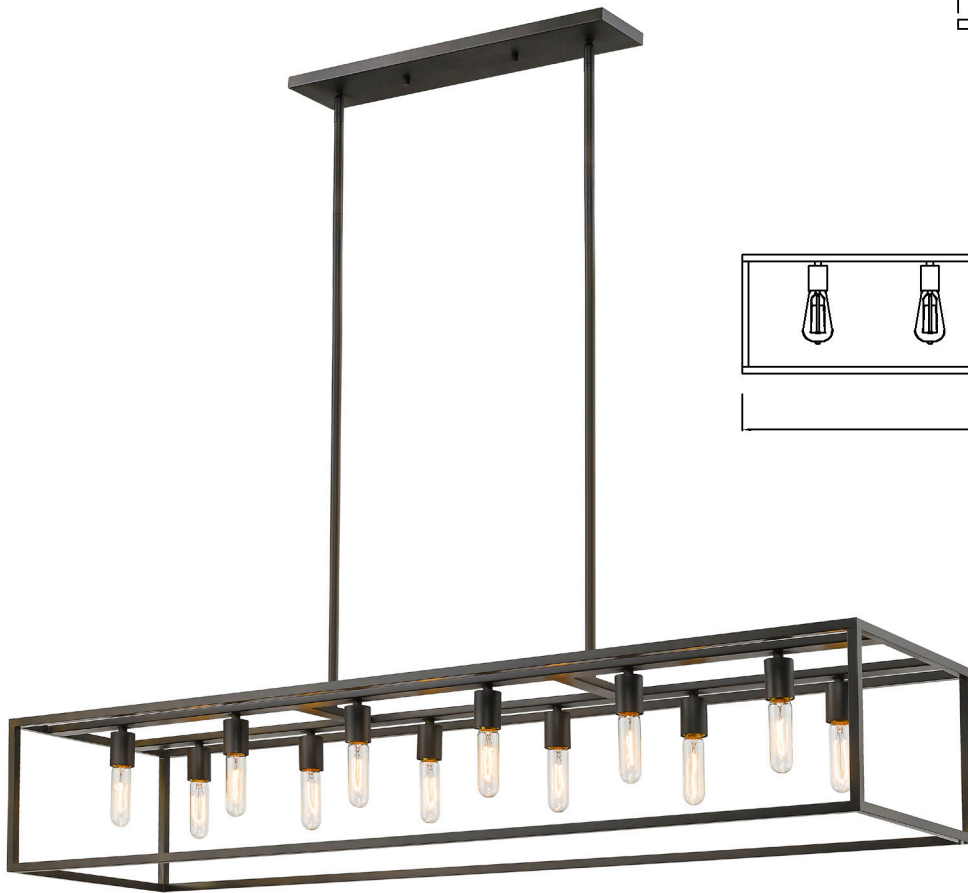


# IN21003ORB

## COBAR 12-LIGHT PENDANT



**Description:** Cobar 12-Light Pendant

**Finish:** Oil-Rubbed Bronze

**Dimensions:** 60" L x 15" W x 10" H

**Bulbs:** 12-100W Med.

**Installed Weight:** 21 lbs.

**Certification:** cUL / dry location

**Material:** Steel

**Shades:** NA

**Glass:** NA

**Canopy Dimensions:** 23-3/4" x 4-3/4"

**Chain/Wire:** 12' Wire

**Stems:** 6-12", 2-6", 2-3"

**Additional Finishes:** BK, SN