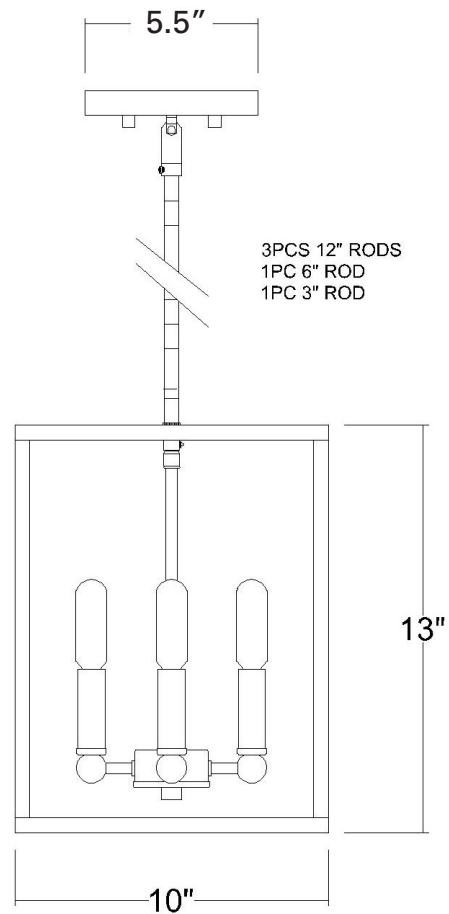


# IN21001SN

## COBAR 4-LIGHT PENDANT



**Description:** Cobar 4-Light Pendant

**Finish:** Satin Nickel

**Dimensions:** 10" Sq. x 13" H

**Bulbs:** 4-60W Cand.

**Installed Weight:** 6.15 lbs.

**Certification:** cUL / dry location

**Material:** Steel

**Shades:** NA

**Glass:** NA

**Canopy Dimensions:** 5-1/2" Sq.

**Chain/Wire:** 12' Wire

**Stems:** 3-12", 1-6", 1-3"

**Additional Finishes:** BK, ORB