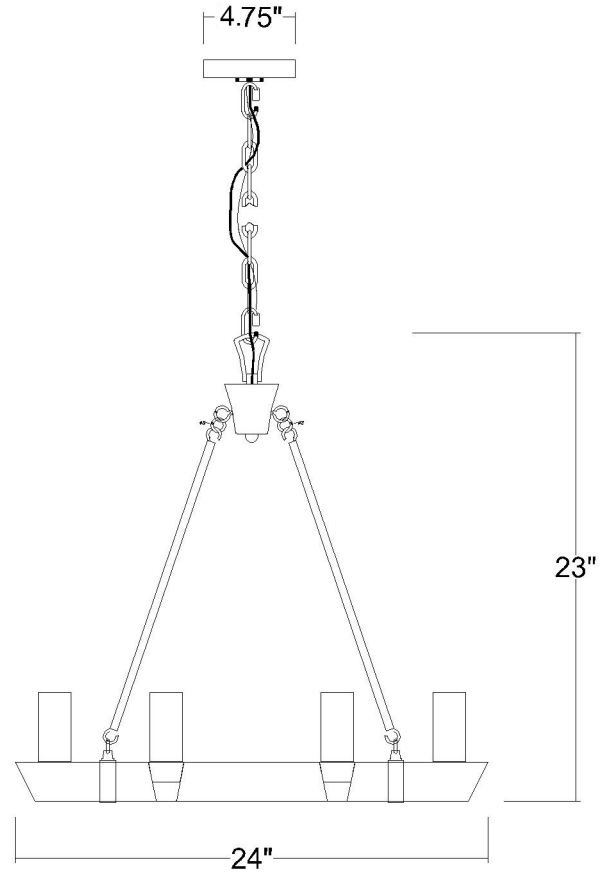


IN11060SN FINNICK 8-LIGHT CHANDELIER



Description:	Finnicks 8-Light Chandelier
Finish:	Satin Nickel
Dimensions:	24" W x 24" D x 23" H
Bulbs:	8-60W Med.
Installed Weight:	12.15 lbs.
Certification:	cUL / dry location

Material:	Steel and wood
Shades:	NA
Glass:	NA
Canopy Dimensions:	4-3/4" Sq.
Chain/Wire:	5' Chain, 12' Wire
Additional Finishes:	NA