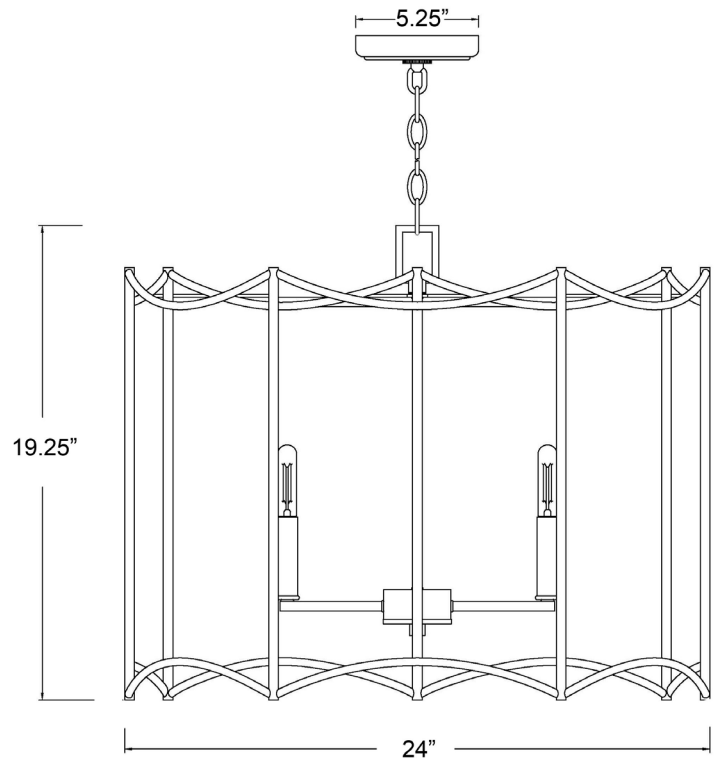


# IN10051BK

## RHIAN 6-LIGHT CHANDELIER



**Description:** Rhian 6-light chandelier

**Finish:** Matte Black

**Dimensions:** 24" W x 19-1/4" H

**Bulbs:** 6-60w Cand.

**Installed Weight:**

**Certification:** cETL / dry location

**Material:** Steel

**Shades:** NA

**Glass:** NA

**Canopy Dimensions:** 5-1/4" Dia.

**Chain/Wire:** 5' chain, 12' wire

**Additional Finishes:** NA