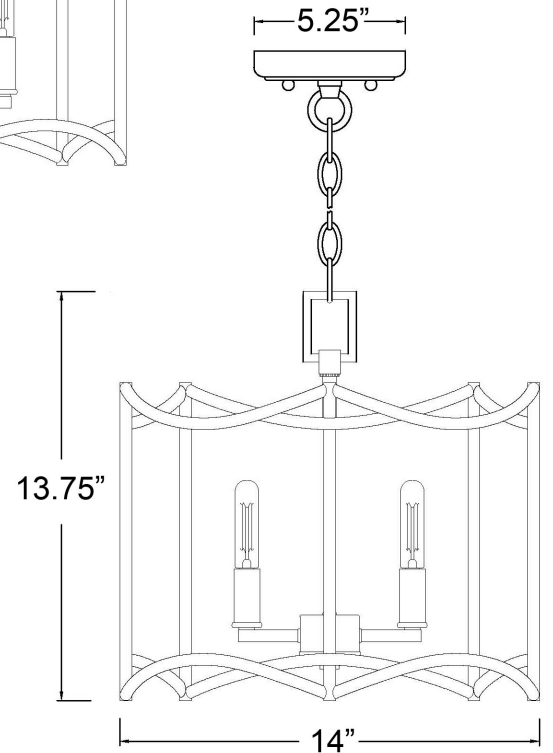
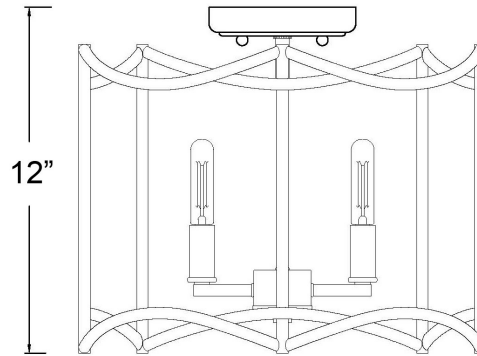


IN10050BK

RHIAN 4-LIGHT CHANDELIER



Description: Rhian 4-light chandelier

Finish: Matte Black

Dimensions: 14" W x 13-3/4" H

Bulbs: 4-60w Cand.

Installed Weight:

Certification: cETL / dry location

Material: Steel

Shades: NA

Glass: NA

Canopy Dimensions: 5-1/4" Dia.

Chain/Wire: 5' chain, 12' wire

Additional Finishes: NA