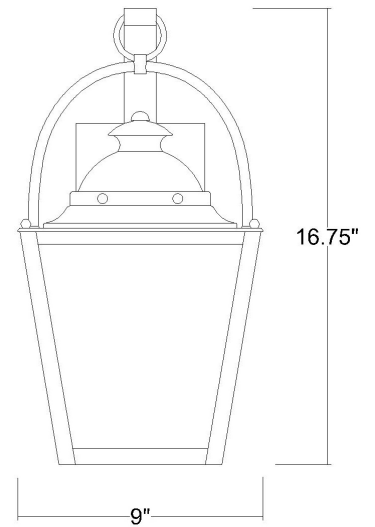
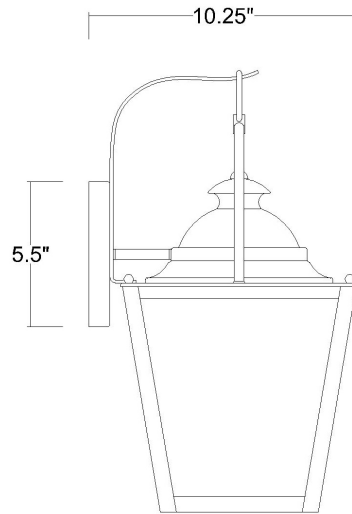


1842ORB

SAVANNAH 3-LIGHT WALL LANTERN



Description:	Savannah 3-Light Wall Lantern
Finish:	Oil Rubbed Bronze
Dimensions:	9" W x 16-3/4" H x 10-1/4" ext. Height on Center: 7"
Bulbs:	3-60W Cand.
Installed Weight:	6.5 lbs.
Certification:	cETL / wet location

Material:	Stainless steel, aluminum, glass
Shades:	NA
Glass:	Clear
Back Plate Dimensions:	4-3/4" x 5-1/2"
Chain/Wire:	NA
Additional Finishes:	NA