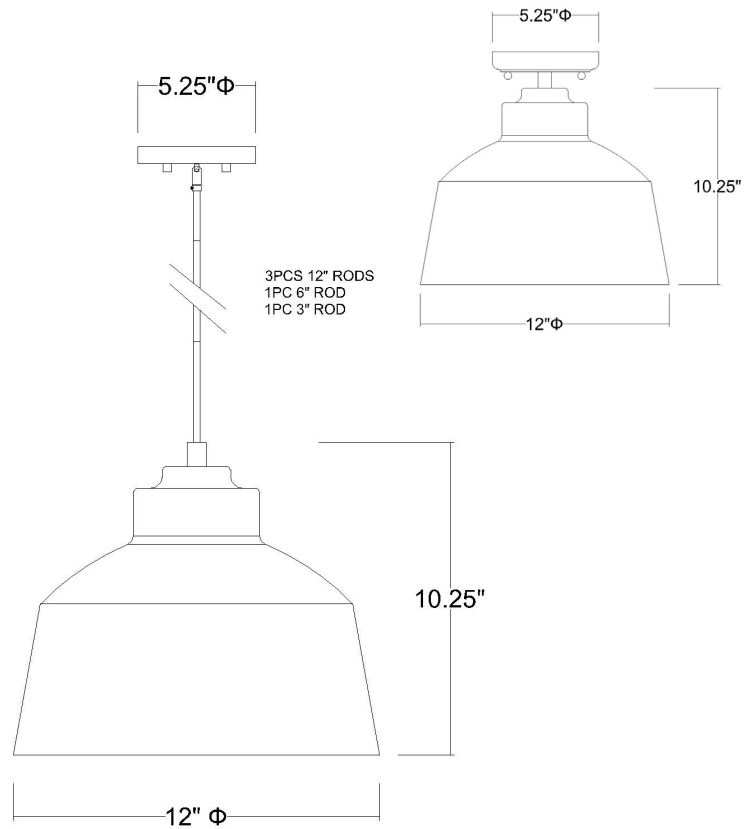


1655GY

BARNES 1-LIGHT PENDANT



Description: Barnes 1-Light Pendant

Finish: Gray

Dimensions: 12" Dia. x 10-1/4" H

Bulbs: 1-100W Med.

Installed Weight: 3.3 lbs.

Certification: cETL / damp location

Material: Steel

Shades: NA

Glass: NA

Canopy Dimensions: 5-1/4" Dia.

Chain/Wire: 10' Wire

Stems: 3-12", 1-6", 1-3"

Additional Finishes: NA